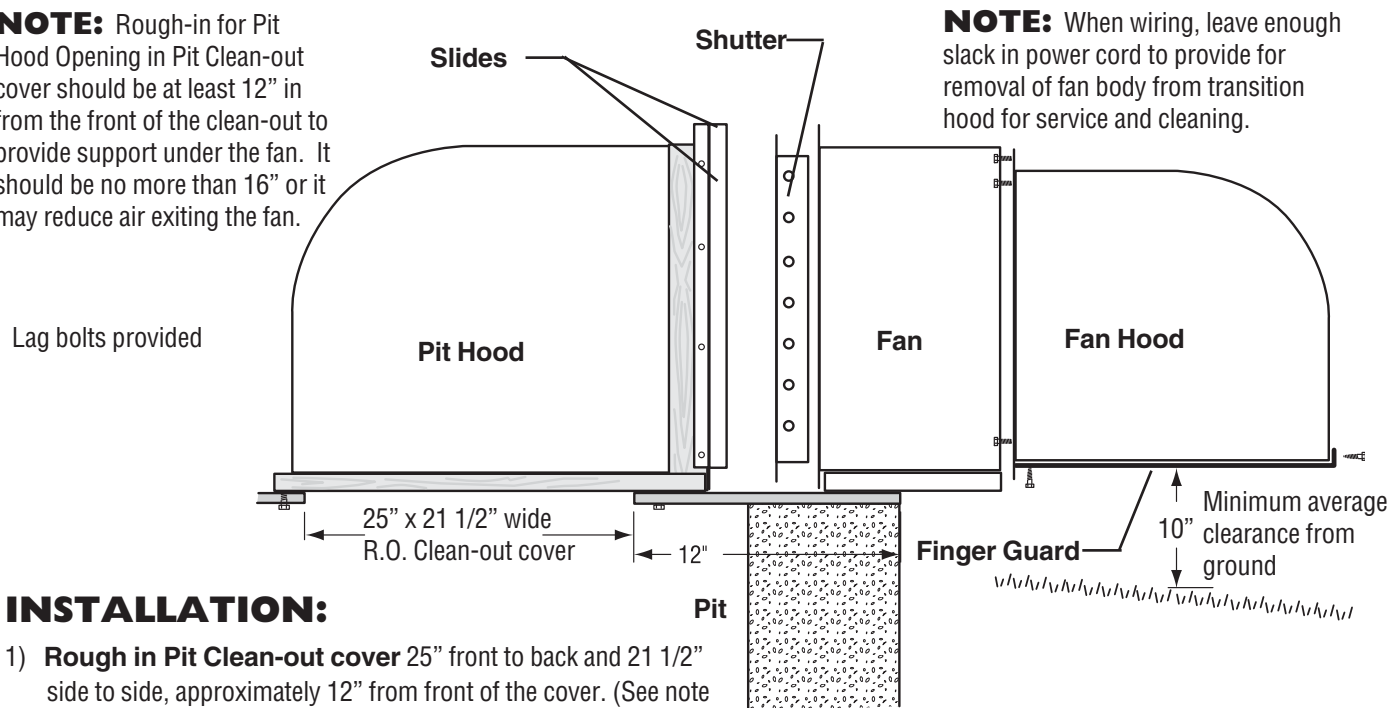


Installation Details • Pit Transition Hood

24" Pit Transition Hood PFPTH24S

NOTE: Rough-in for Pit Hood Opening in Pit Clean-out cover should be at least 12" in from the front of the clean-out to provide support under the fan. It should be no more than 16" or it may reduce air exiting the fan.

NOTE: When wiring, leave enough slack in power cord to provide for removal of fan body from transition hood for service and cleaning.



INSTALLATION:

- 1) **Rough in Pit Clean-out cover** 25" front to back and 21 1/2" side to side, approximately 12" from front of the cover. (See note above)
- 2) **To insure air tight seal**, run a bead of caulk on the wood frame of the pit hood before securing with lag bolts to pit cover.
- 3) After pit hood is secured to pit cover, **Slide fan into stainless steel slide brackets** as shown (figure 1)
- 4) **Secure in position** by drilling 5/16" hole through the plastic flanges of the transition hood and the fan. This is to be located in the upper right corner as shown (figure 2). Secure with 1/4" SS bolt and wing nut.
- 5) **Position shutter against pit hood flange. Position fan body against shutter flange** so that the fan body bolts protrude through the holes in the fan body flange. Secure with wing nuts provided.
- 5) **Drill wire access hole** through the wall of the fan body. Wire with enough slack to remove the fan for service.
- 6) **Install finger guard** on the fan hood with 1" self tapping screws provided.
- 7) **Position the fan hood** onto the fan body so that the bolts protrude through the flange. Secure with flanged nuts.

HARDWARE LIST

24" Fan

- 6 - 1/4" x 2 1/2" SS Lag bolts
- 4 - #8 x 3/4" Screws (for fastening finger guard to fan wind hood)
- 1 - 1 1/2" x #8" SS screw and fender washer (top body flange to hood)
- 6 - 10/24 Flanged nuts (for fastening the wind hood to the fan body)

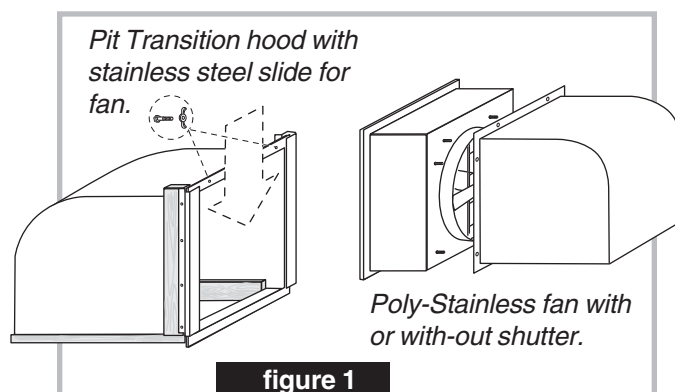


figure 1

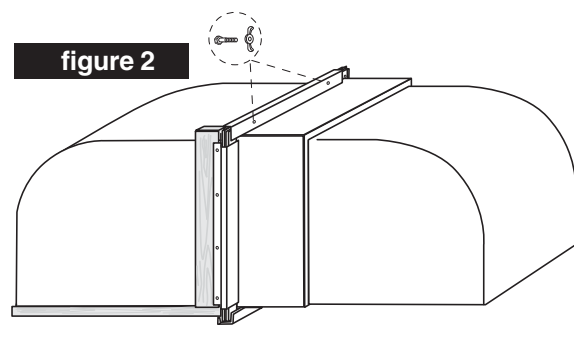


figure 2



J&D Manufacturing, Inc.
 6200 Highway 12 • Eau Claire, WI 54701
 ph: 715-834-1439 • fax: 715-834-3812
 Toll Free: 1-800-998-2398 • Toll Free fax: 1-888-972-4454

On-Line
 website: www.jdmfg.com
 e-mail: jdmfg@jdmfg.com