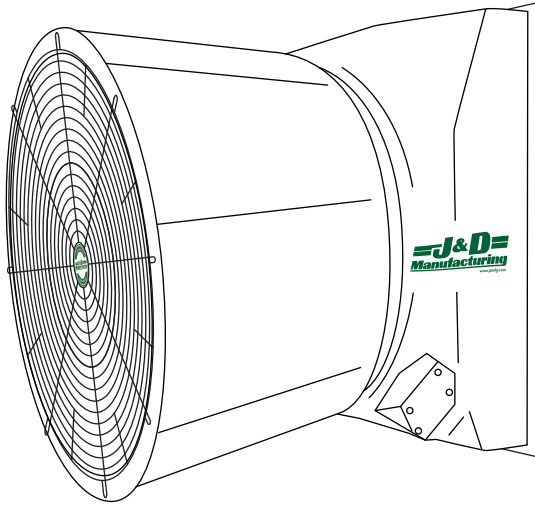
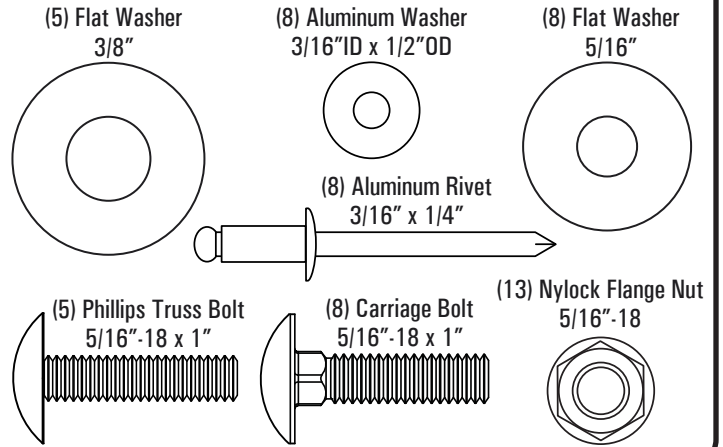


J&D Manufacturing

55" STORM WITH CONE



INCLUDED ASSEMBLY HARDWARE - TO SCALE

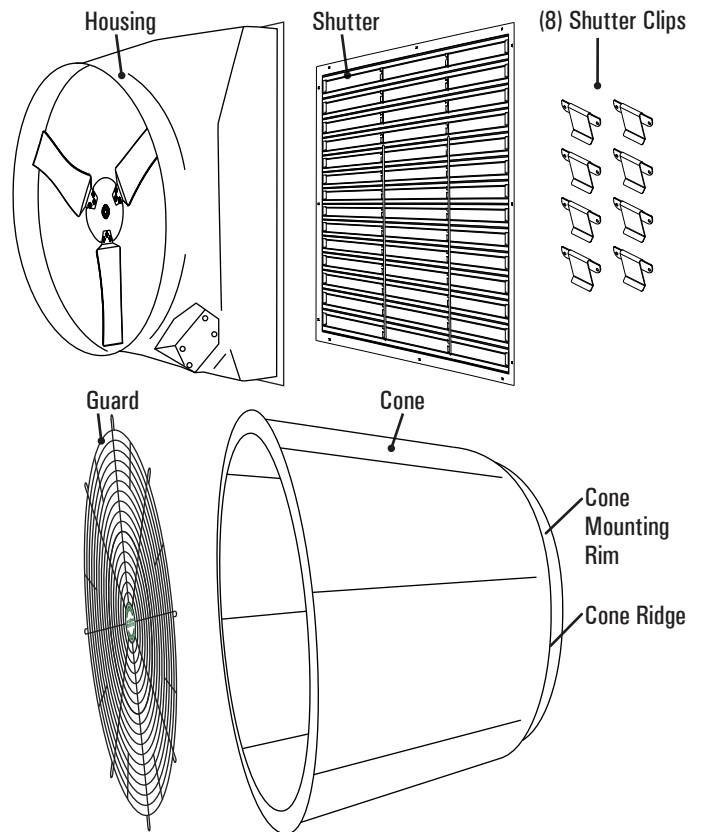


INSTALLATION HARDWARE IS NOT PROVIDED

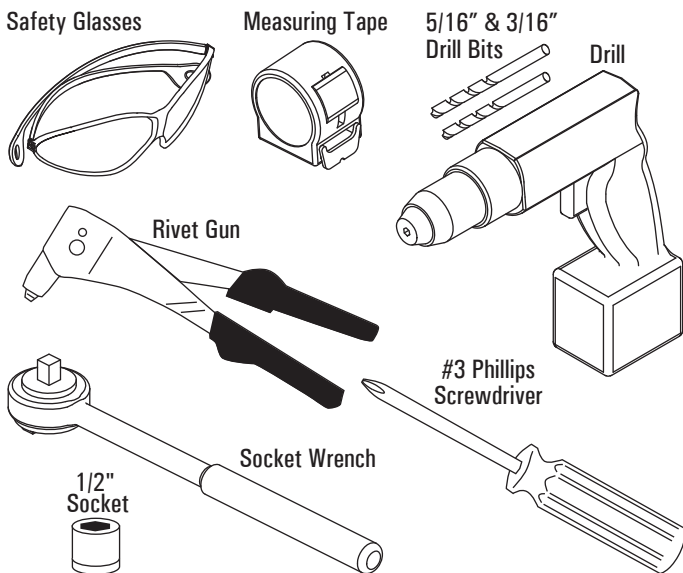
WARRANTY

J&D Mfg. warrants all products are free from defects in materials and workmanship under normal use for the period of one year from date of purchase and our warranty does not cover normal or regular wear and tear. J&D Mfg can repair or replace at our option, any product or part of the product that is found to be defective. Our warranty applies to materials only and does not include return freight, delivery, loss or damage to personal property, cost of removal or installation, any incidental or consequential damages or labor. This warranty does not apply to products which are misused, abused, altered, improperly installed or subject to negligence. All warranties must be approved through our warranty department. The original purchaser must present a copy of the invoice for the defective product. One year is our standard warranty unless specified on our literature or in the installation instructions/user manuals.

PARTS LEGEND



RECOMMENDED TOOLS FOR INSTALLATION AND ASSEMBLY (NOT PROVIDED)



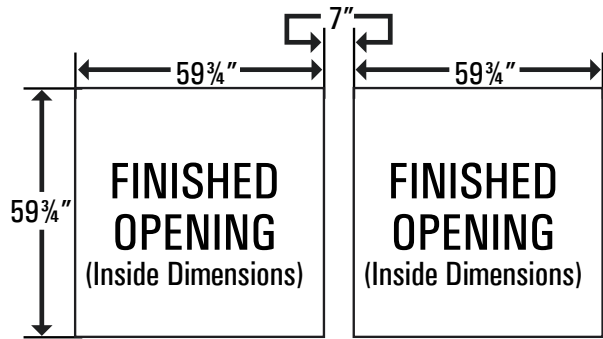
COLD WEATHER INSTALLATION AND ASSEMBLY MAY REQUIRE ADDITIONAL TOOLS

3/8" Drill Bit & Circular Saw

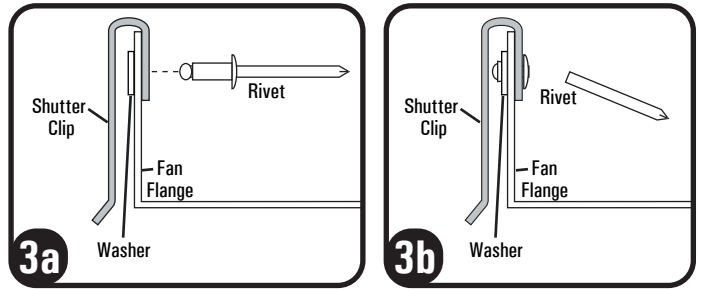
INSTALLATION

Please read over all instructions carefully before you begin. If you have any questions please call your local dealer, or contact J&D Manufacturing at 1-800-998-2398.

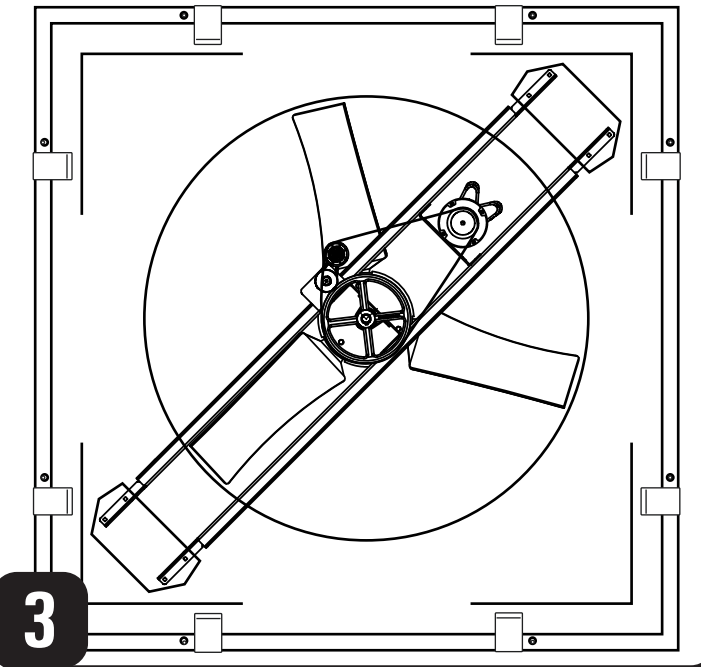
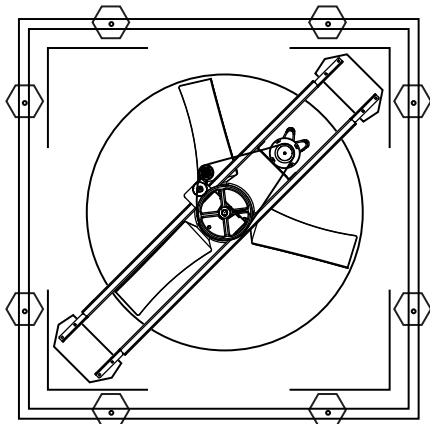
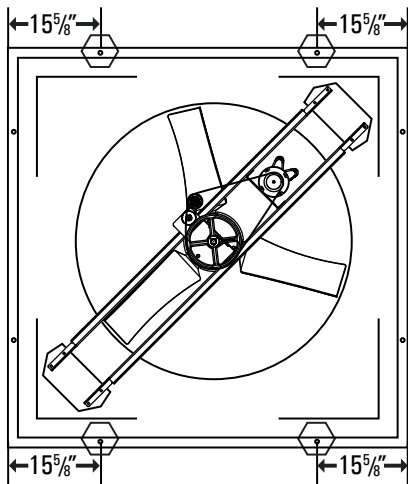
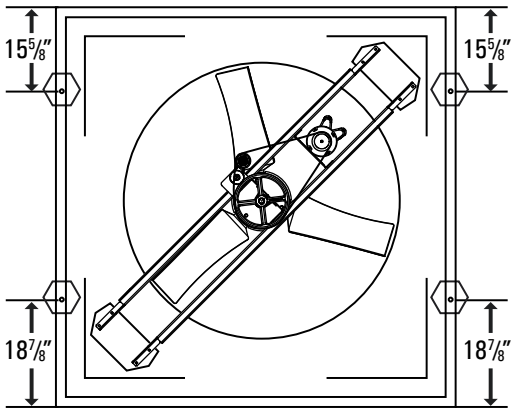
Construct structurally sound 59 3/4" square finished opening. If mounting fans side by side a minimum of 7" between openings is required to allow room for cones.



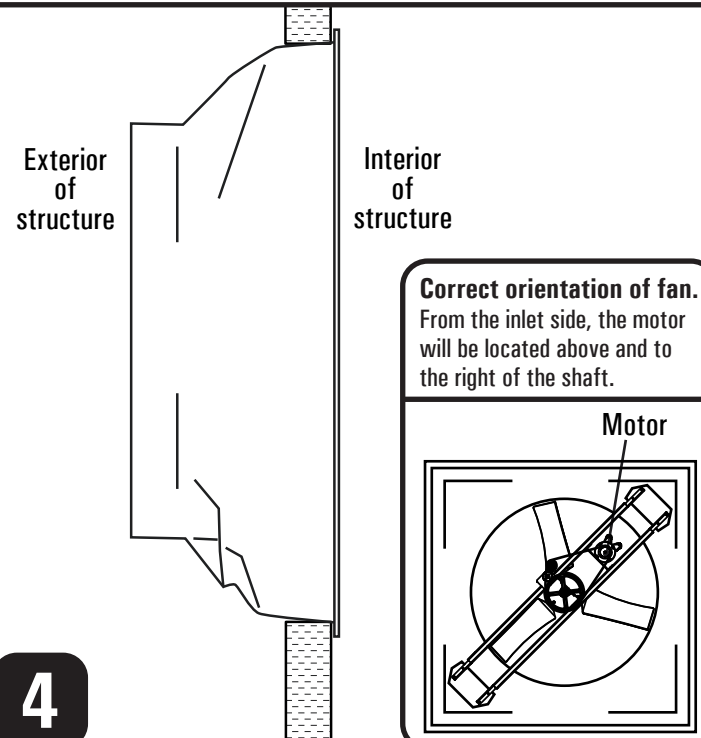
Attach all (8) shutter clips with a rivet gun using (8) 3/16" rivets and (8) 3/16" washers. Review the illustrations below for placement and assembly.



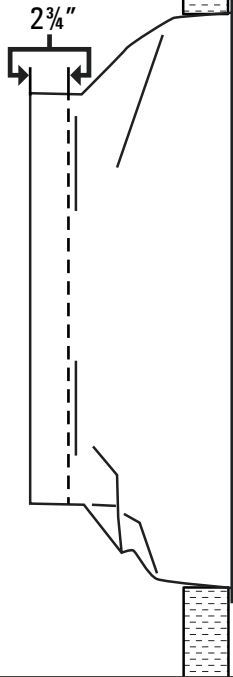
Using the measurements below and a 3/16" drill bit, drill a total of 8 holes in the housing flange 1/2" from the flange edge.



From the inside of your structure, rotate the fan housing until the motor is located above and to the right of the shaft, as shown below. Insert fan housing into the finished opening and secure all 4 sides to structure using suitable fasteners and washers (not included).



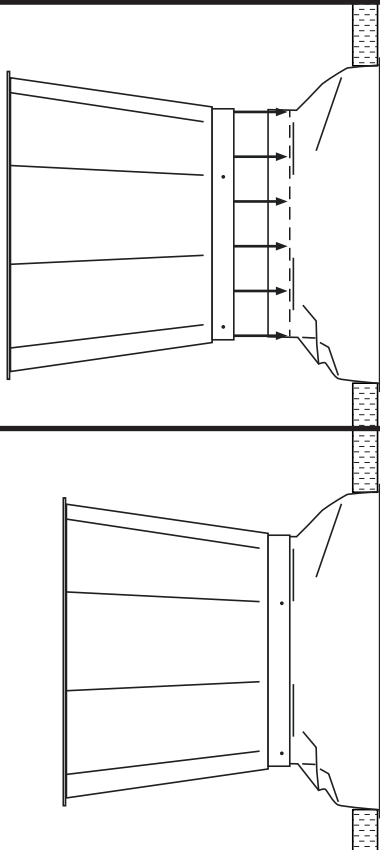
Measure and mark 2 3/4" from edge of venturi as shown below.



5

NOTE: If installing cone in cold conditions additional cone preparation may be required. If cone will not slide OVER the venturi proceed to Cold Conditions Cone Installation Section.

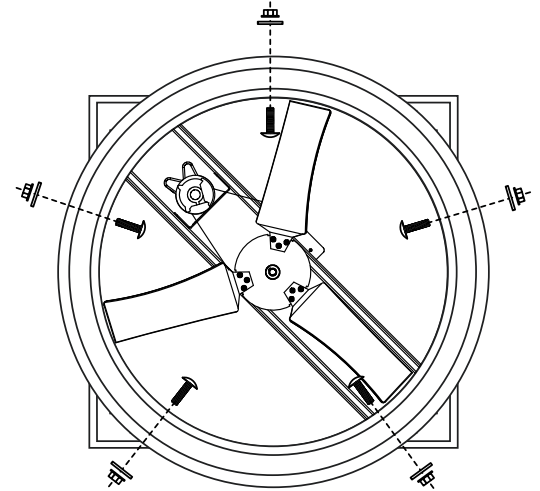
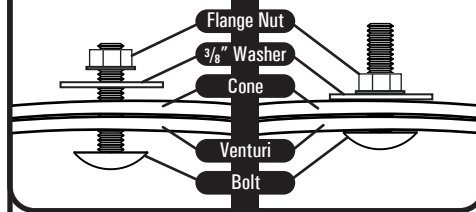
Slide cone over venturi. Align edge of cone mounting rim with marks made in Step 5



6

Using the 5 pre-drilled holes in the cone and a 5/16" drill bit, drill matching holes in venturi and secure with (5) 5/16" Phillips Truss Bolts, (5) 3/8" Flat Washers and (5) 5/16" Nylock Flange Nuts. Insert bolts from the interior of the cone and secure with washers and nuts on exterior.

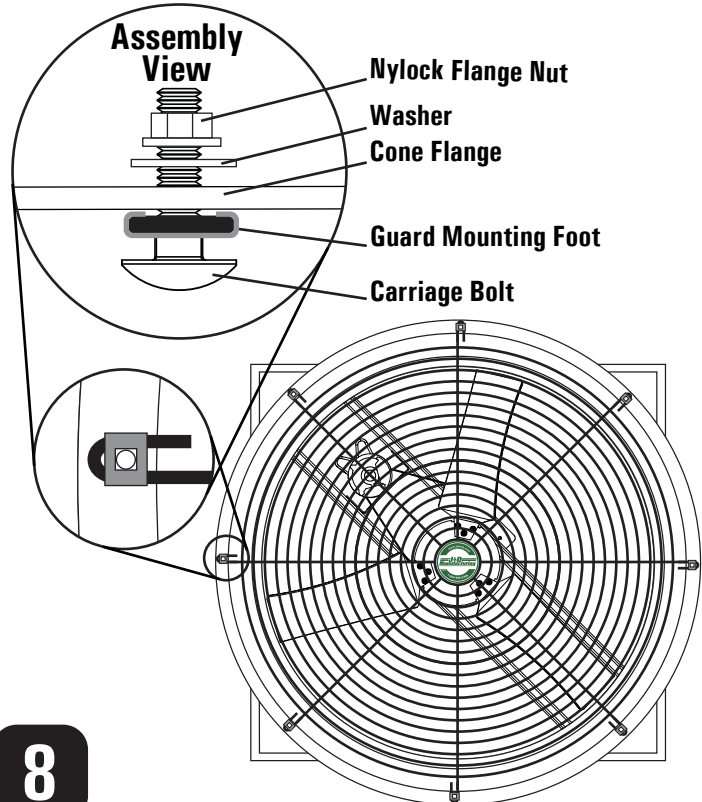
Assembly View



7

Place guard against cone flange. Using 5/16" drill bit and the guard mounting feet as guides drill holes through the cone flange. Secure the guard to the cone using (8) 5/16" carriage bolts, (8) 5/16" flat washers, and (8) 5/16" nylock flange nuts. Review the Assembly View illustration for proper installation. Do not tighten until all have been assembled.

Assembly View



8



**DISCONNECT POWER BEFORE
INSTALLING OR SERVICING.**



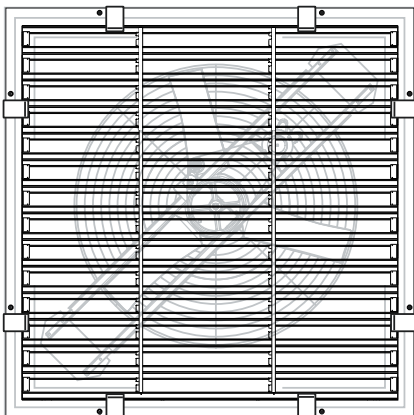
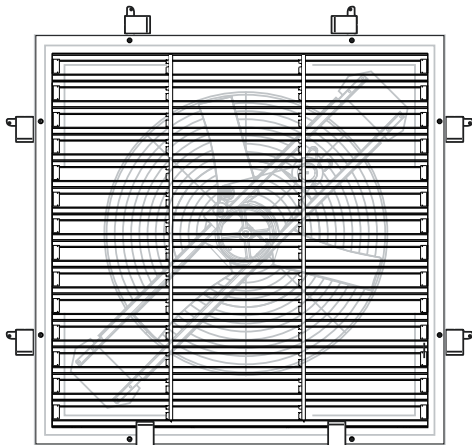
**ALL ELECTRICAL WORK SHOULD BE
COMPLETED BY QUALIFIED PERSONNEL AND MEET
NATIONAL (NEC), REGIONAL AND LOCAL ELECTRIC CODES.**

Connecting power to the unit.

- **Install manual disconnect switch inside building adjacent to fan.**
- **Route wire to motor with drip loop and secure. Drip loop will drain accumulated moisture away from the motor.**
- **Configure internal wires to match supply voltage and wire according to motor nameplate. Test to verify correct rotation.**
- **Shut off manual disconnect for remainder of install. Only permit power to unit when shutter and guard is fully installed to prevent injury.**

9

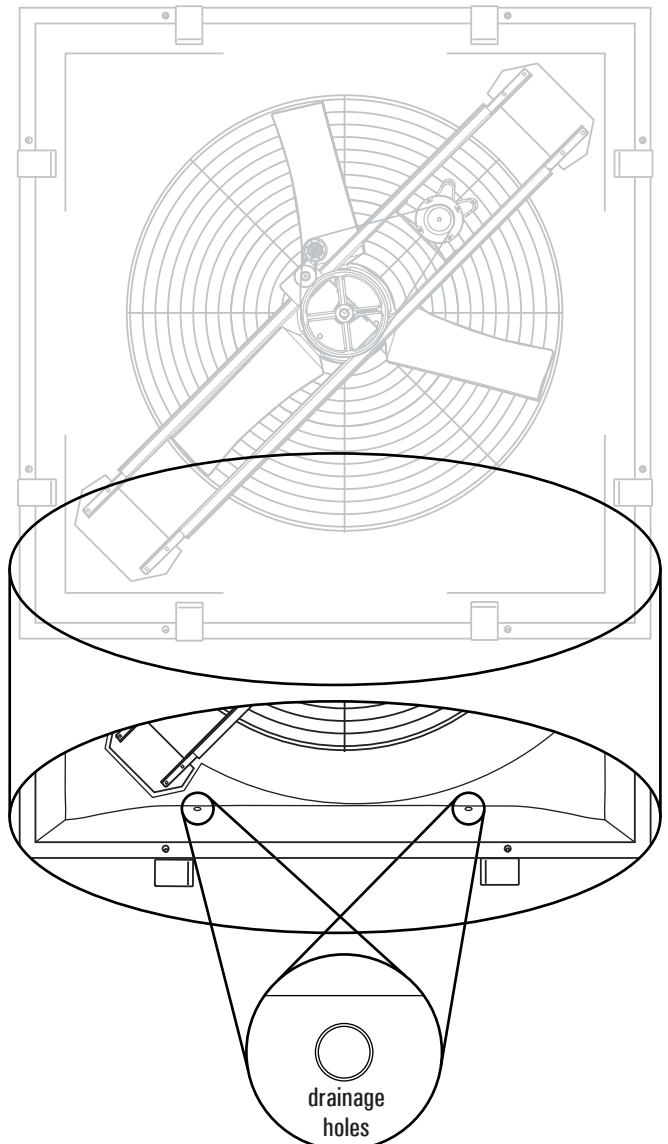
Swivel top and side shutter clips open. Set bottom shutter flange into bottom shutter clips. Secure shutter by swiveling top and side shutter clips over shutter flange.



10

MAINTENANCE INSTRUCTIONS

- **To prevent serious injury or death, disconnect power before cleaning or maintaining fan or fan motor.**
- **Service and repair of fan and motor should only be completed by a qualified technician.**
- **Lubrication**
 - **Fan motor is sealed and does not require additional lubrication.**
- **Every 4 months or as required, remove dust and debris from:**
 - shutter louvers
 - fan blades
 - motor
 - fan housing
 - guards
- **Housing drainage holes as shown below need to be kept free from debris to allow water from cleaning or weather to drain.**



Cold Conditions Cone Installation

Cold weather installation of cone.

Cold temperatures can cause poly cone to shrink, affecting ease of installation. If difficulties arise in sliding cone over fan venturi either:

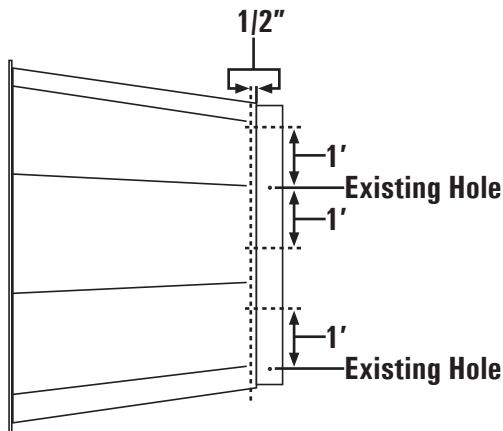
- Allow cone to warm in the sunlight until it sufficiently expands.
- OR
- Manually widen cone mounting rim (see below for instructions)

WARNING:

DO NOT install cone inside the venturi as this will reduce fan performance and could damage cone or venturi and would void warranty.

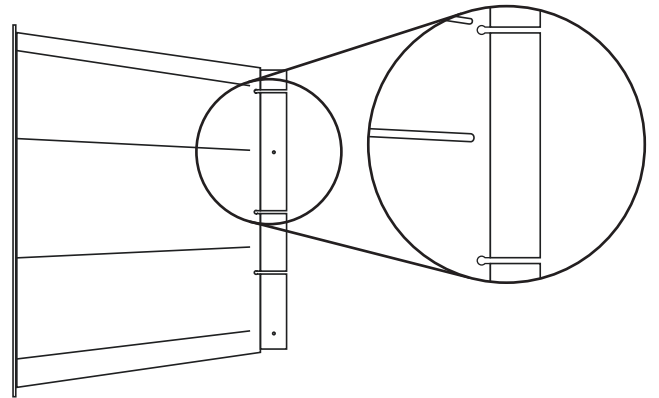
Manually widening of cone mounting rim.

Measure and mark the mounting rim and beginning of cone 1' on either side of each existing mounting hole, then measure 1/2" from rim onto cone, mark intersection of lines as shown.



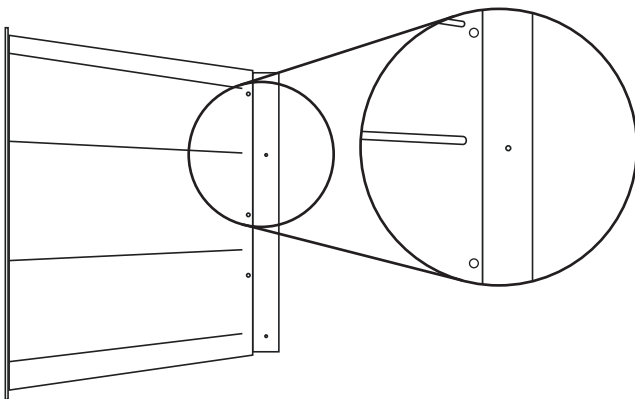
A

Using a circular saw cut slit connecting the edge of the mounting ridge to the hole drilled in Step B as shown below.



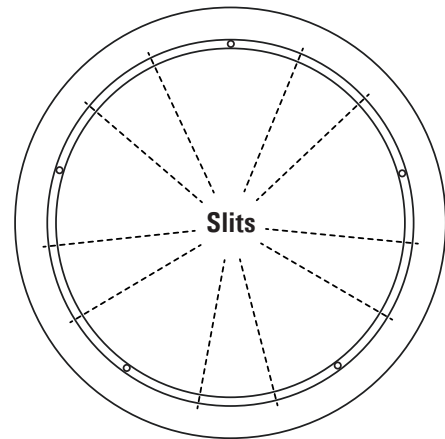
C

Using the lines made in Step A as your guide and a 3/8" drill bit, drill a hole through the cone as shown below.



B

Repeat until entire mounting rim has 2 slits between each mounting hole.



D

Once cone is finished being modified for cold installation, proceed to Step 6.