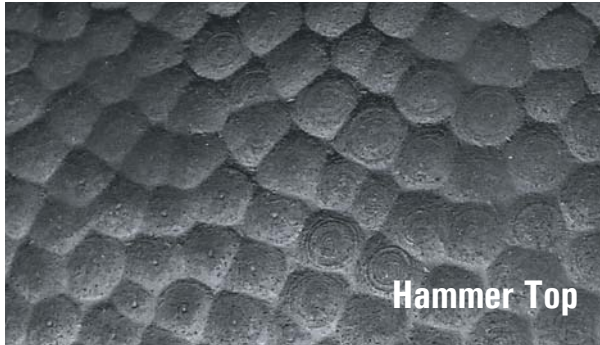


J&D Manufacturing

ROLLED RUBBER

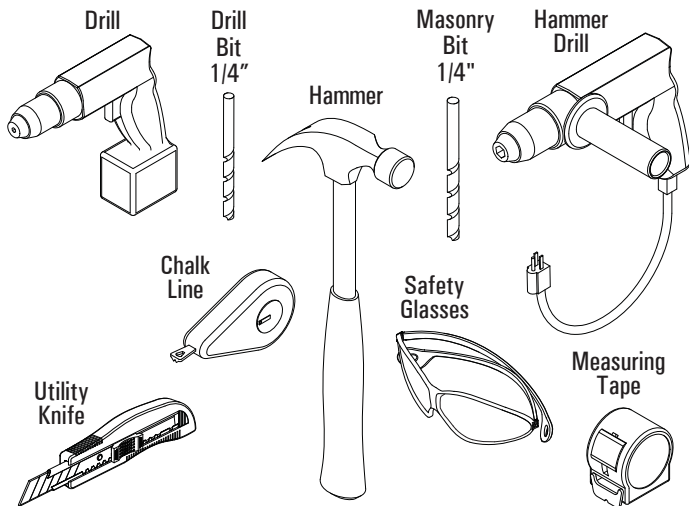


Hammer Top

WARRANTY

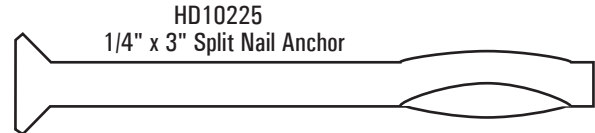
J&D Manufacturing warrants all products are free from defects in materials and workmanship under normal use for the period of one year from date of purchase. Our warranty does not cover normal or regular wear and tear. J&D Manufacturing can repair or replace at our option, any product or part of the product that is found to be defective. Our warranty applies to materials only, and does not include return freight, delivery, loss or damage to personal property, cost of removal or installation, any incidental or consequential damages or labor. This warranty does not apply to products which are misused, abused, altered, improperly installed or subject to negligence. All warranties must be approved through our warranty department. The original purchaser must present a copy of the invoice for the defective product. One year is our standard warranty unless specified on our literature or in the installation instructions or user manuals.

RECOMMENDED TOOLS FOR INSTALLATION AND ASSEMBLY (NOT PROVIDED)

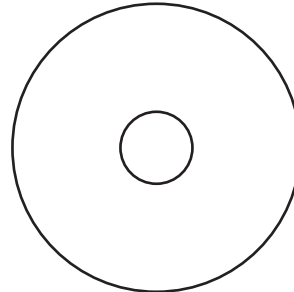


RECOMMENDED HARDWARE - TO SCALE

NOT INCLUDED - MUST BE ORDERED SEPARATELY



HD10225
1/4" x 3" Split Nail Anchor



HD10224
3/8" x 1 1/2" Fender Washer

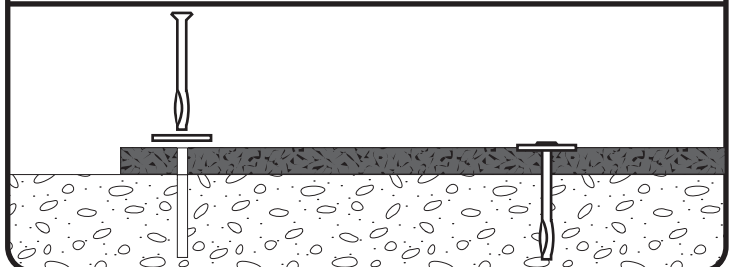
INSTALLATION

Please read over all instructions carefully before you begin. If you have any questions please call your local dealer, or contact J&D Manufacturing at 1-800-998-2398.

With a room temperature of at least 60° F roll out rubber in intended installation location and let rubber relax for 48 hours before securing.

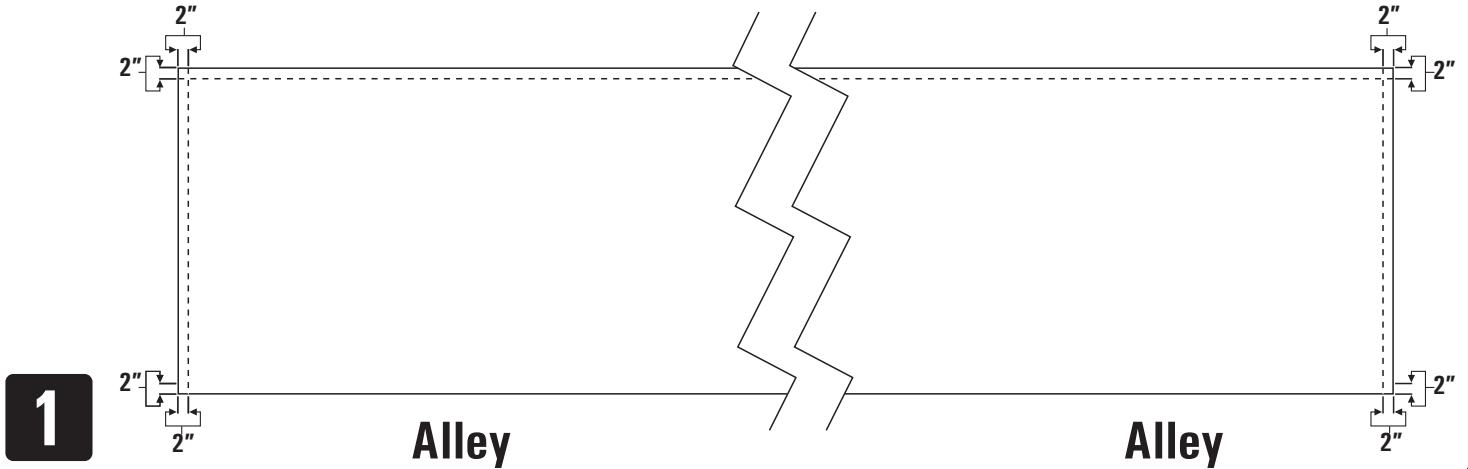


ANCHOR ASSEMBLY - Anchors must be at least 3" in length and installed no more than 18" apart. Each anchor must be paired with a 3/8" washer that has an OD of at least 1-1/2" and be firmly secured between the head of the anchor and the rolled rubber as shown below.

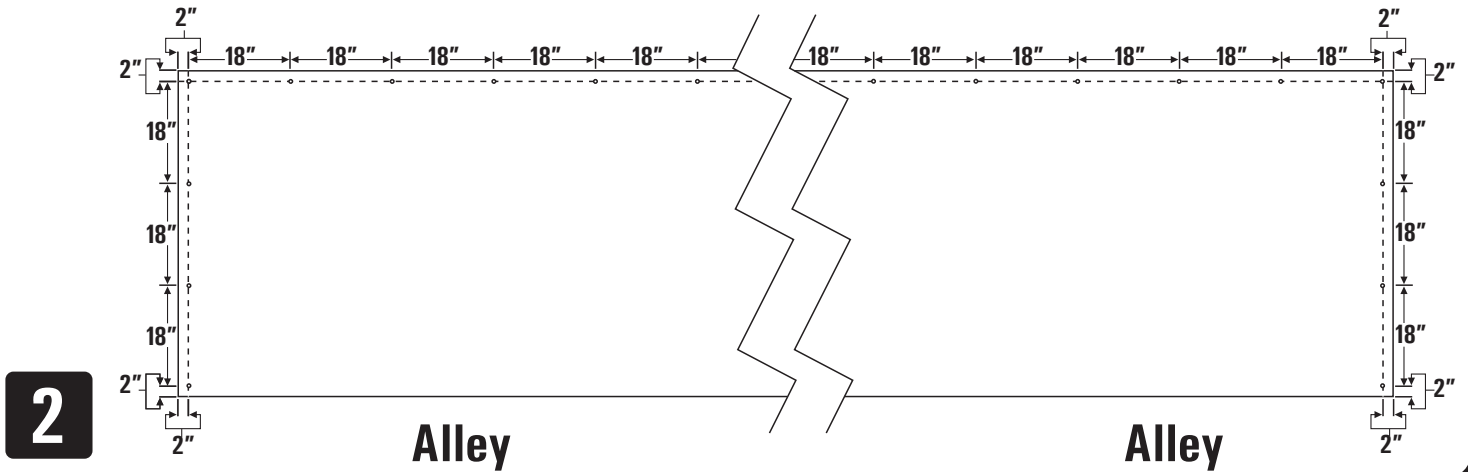


Stall Installation

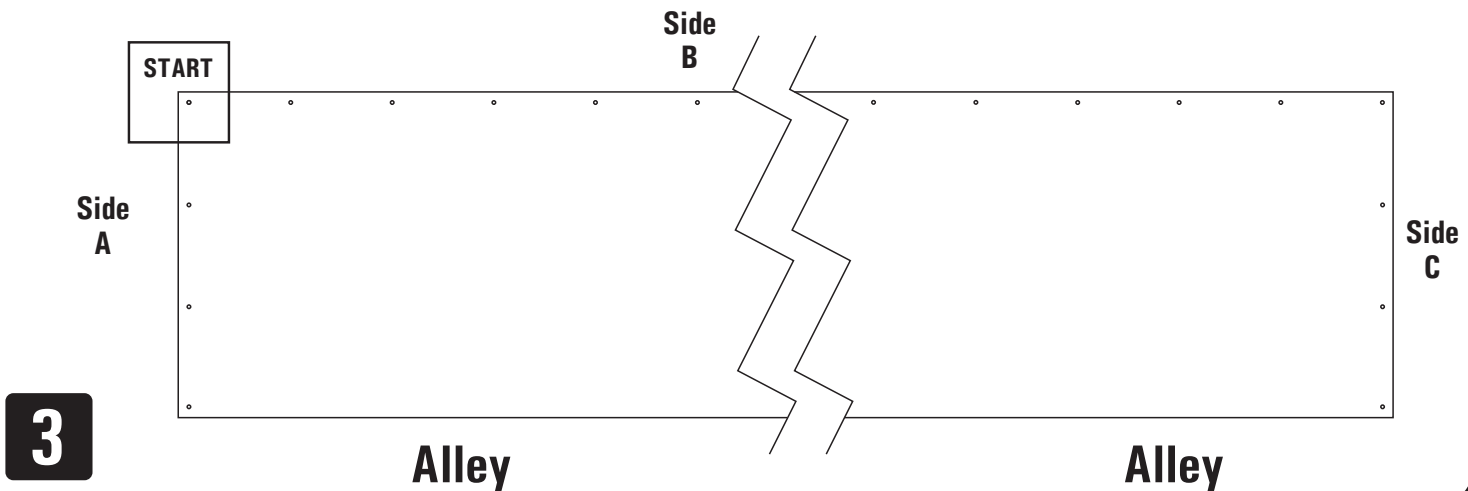
Stall installation of the rolled rubber requires that all sides except the alley side be secured. Measure 2" from edges and snap lines using a chalk line as indicated by the dashed lines in illustration below.



Measure and mark placement of anchors along the chalk line. Anchors should be a maximum of 18" apart. Once all anchor locations are marked, use a drill and 1/4" drill bit to drill through the rubber only at each marked location.

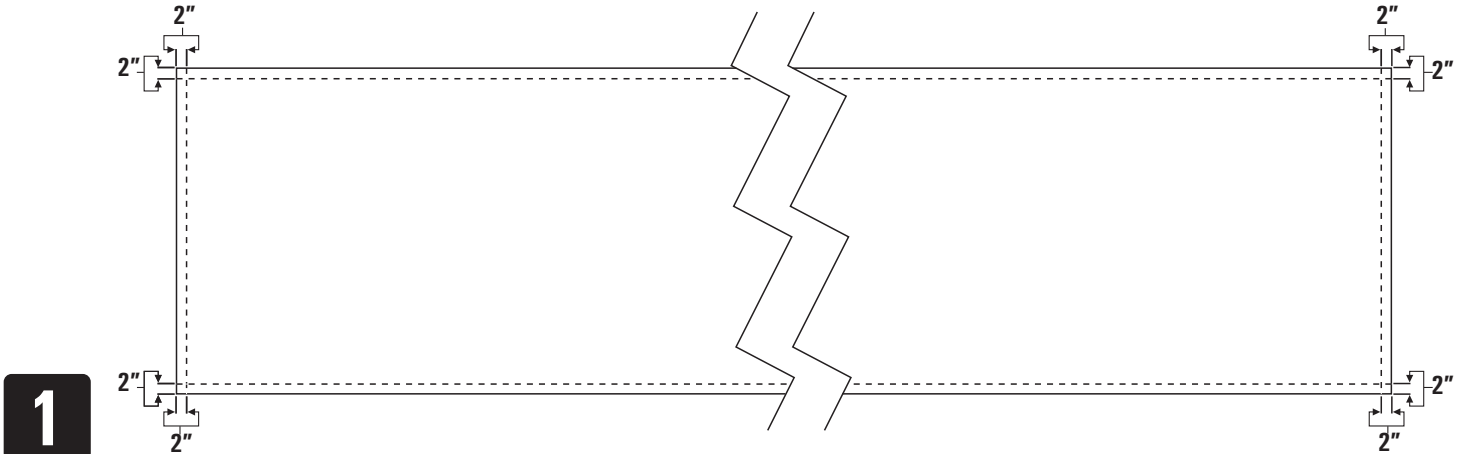


Starting with side A in the corner furthest from the alley, using your predrilled hole in the rolled rubber as a guide, use the hammer drill and 1/4" masonry bit to drill corresponding hole through the concrete. Secure rubber with anchor and washer before moving on to next anchor point. Flatten and stretch rubber as you install each anchor. Review ANCHOR ASSEMBLY on page 1 for detailed information on anchor and washer installation. Continue installing anchors in sides B and C.

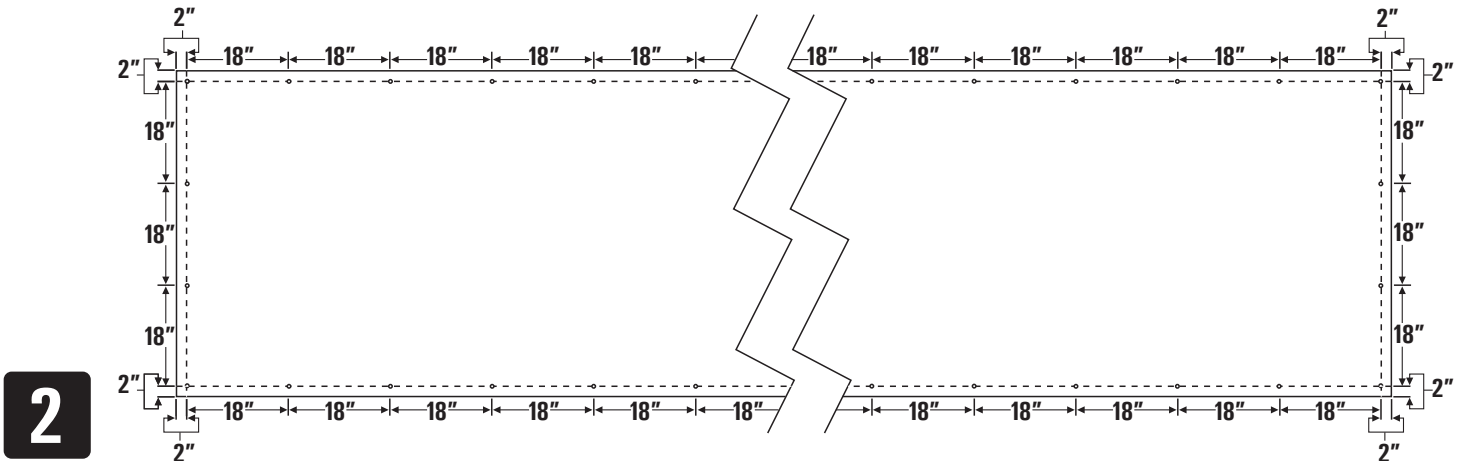


Alley & Feed Line Installation

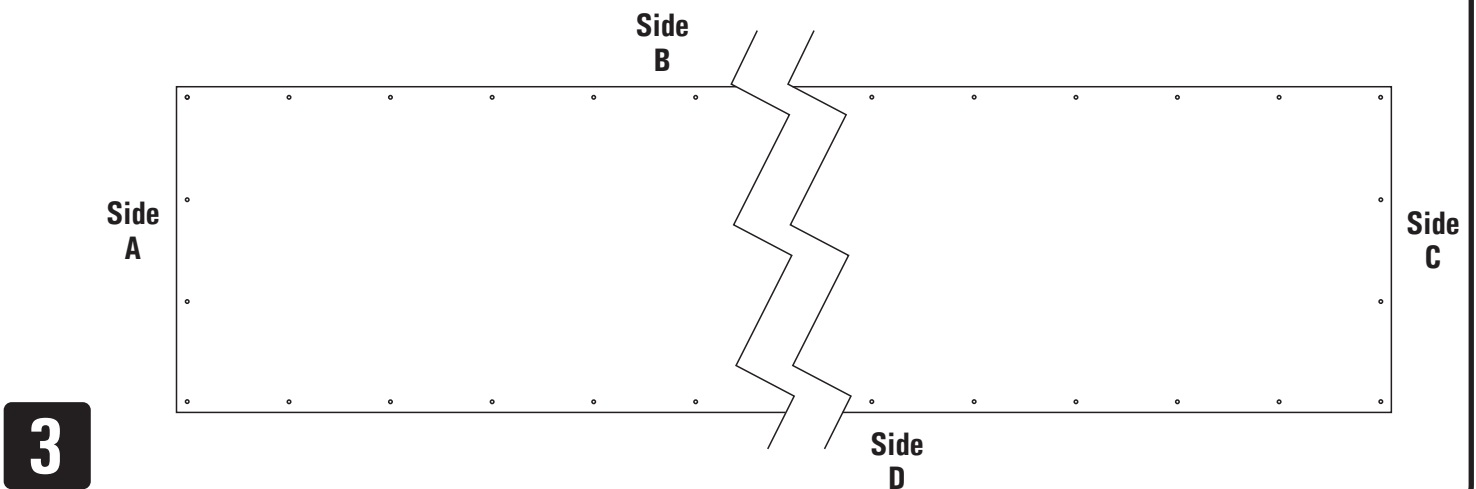
Alley and feed line installation of the rolled rubber requires that all sides be secured. Measure 2" from edges and snap lines using a chalk line as indicated by the dashed lines in illustration below.



Measure and mark placement of anchors along the chalk line. Anchors should be a maximum of 18" apart. Once all anchor locations are marked, use a drill and 1/4" drill bit to drill through the rubber only at each marked location.



Starting with side A in the corner furthest from the alley, using your predrilled hole in the rolled rubber as a guide, use the hammer drill and 1/4" masonry bit to drill corresponding hole through the concrete. Secure rubber with anchor and washer before moving on to next anchor point. Flatten and stretch rubber as you install each anchor. Review ANCHOR ASSEMBLY on page 1 for detailed information on anchor and washer installation. Continue installing anchors in sides B, C and D.



Rolled Rubber and Your Alley Scraper

Rolled rubber can be used with alley scrapers. Contact your alley scraper dealer or manufacturer to verify what adjustments or additional accessories are needed to enable your alley scraper to perform without causing damage to the rolled rubber while maintaining efficiency. Most systems require wheels for the scraper frame and rubber wipers for the leading edge. **DO NOT** allow the metal frame or metal blades to drag across rubber as this will cause unwarranted damage and shorten the lifespan of the rubber.



6200 Hwy 12 • Eau Claire, WI 54701 • 1-800-998-2398

Visit our website at www.jdmfg.com