

# Magnum 58" Exhaust Fan

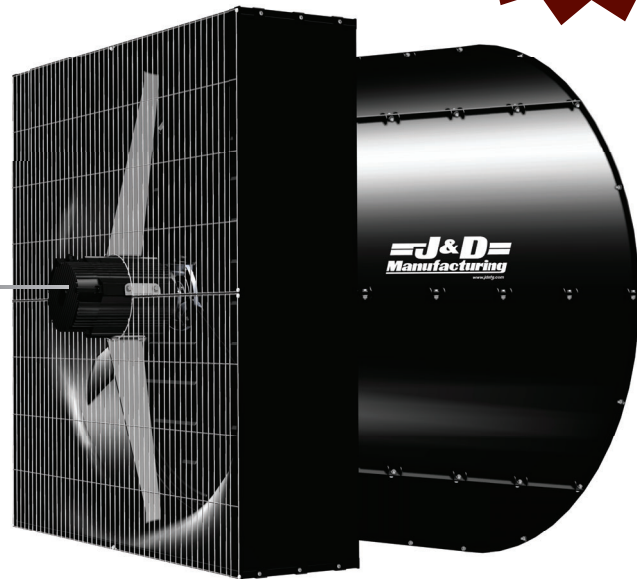
The Magnum 58" Exhaust Fan uses a maintenance-free, direct drive, permanent magnet motor. It eliminates the need for greasing bearings and changing belts. The housing is made of strong poly, while the frame is all stainless-steel preventing rust and corrosion in any environment. The complete fan includes durable poly damper doors that seal out air and light when closed.

The Magnum 58" Exhaust Fan is designed to operate in the full range from minimum ventilation, to maximum power using basic 0-10 volt control signal which eliminates the need for smaller fans. Because of the high-performance of the Magnum 58", you'll use 25% fewer fans on your next project, making it your most economical choice.

*Probably the world's best fan!*



With an Incredible Air Flow Ratio of **0.87**



## JD-Drive Motor

- PM Direct Drive, efficient 2.2 kW motor
- Internal motor drive - no VFD needed
  - Provides soft starts
  - Enables variable speed
  - Allows for precise and uniform speed control
- Surge protection
- Locked rotor protection
- Overload protection
- Thermal foldback protection
- IP65-Rated
- Industrial cast-aluminum housing
- Will not interfere with RFID



**3 Year Warranty on ENTIRE fan**



## Shipping

- Easy to assemble and packaged for reduced shipping cost
- 75 fans per 53' van trailer truckload
- 45 fans per 40' high-cube shipping container

**⚠️WARNING:** This product can expose you to chemicals including chromium, which is known to the State of California to cause cancer and birth defects or other reproductive harm. For more information go to [www.P65Warnings.ca.gov/product](http://www.P65Warnings.ca.gov/product).

# Magnum 58" Exhaust Fan

Part #	Size	Ph	Spd	@ 0.10" SP		Drive	Prop
				CFM	CFM/ Watt		
<b>Single Phase</b>							
* VMF58DP3C221A	58"	1	1/Var^	100%	<b>42,652</b>	<b>18.4</b>	PM-D 3-Ply
				90%	<b>36,910</b>	<b>20.8</b>	
				80%	<b>31,794</b>	<b>24.6</b>	
				70%	<b>26,314</b>	<b>28.0</b>	
				60%	<b>18,378</b>	<b>29.2</b>	
VMF58DP3C221A-HR	58"	1	1/Var^	100%	<b>36,400</b>	<b>21.9</b>	PM-D 3-Ply
				90%	<b>32,200</b>	<b>25.8</b>	
				80%	<b>27,400</b>	<b>30.2</b>	
				70%	<b>22,400</b>	<b>33.8</b>	
				60%	<b>14,500</b>	<b>30.8</b>	
VMF58DP3C221A-HE	58"	1	1/Var^	100%	<b>37,900</b>	<b>20.0</b>	PM-D 3-Ply
				90%	<b>33,200</b>	<b>23.7</b>	
				80%	<b>28,700</b>	<b>27.7</b>	
				70%	<b>23,700</b>	<b>31.4</b>	
				60%	<b>15,700</b>	<b>30.5</b>	
<b>Three Phase</b>							
VMF58DP3C223B	58"	3	1/Var^	100%	<b>42,238</b>	<b>17.8</b>	PM-D 3-Ply
				90%	<b>34,250</b>	<b>18.2</b>	
				80%	<b>28,777</b>	<b>21.4</b>	
				70%	<b>23,280</b>	<b>25.1</b>	
				60%	<b>17,465</b>	<b>29.5</b>	
VMF58DP3C223B-HR	58"	3	1/Var^	100%	<b>36,900</b>	<b>21.8</b>	PM-D 3-Ply
				90%	<b>32,600</b>	<b>25.5</b>	
				80%	<b>26,000</b>	<b>25.5</b>	
				70%	<b>20,800</b>	<b>29.1</b>	
				60%	<b>15,400</b>	<b>32.6</b>	
VMF58DP3C223B-HE	58"	3	1/Var^	100%	<b>38,500</b>	<b>20.9</b>	PM-D 3-Ply
				90%	<b>34,100</b>	<b>23.5</b>	
				80%	<b>29,200</b>	<b>27.6</b>	
				70%	<b>21,900</b>	<b>28.0</b>	
				60%	<b>16,400</b>	<b>31.1</b>	
* VMF58DP3C223C	58"	3	1/Var^	100%	<b>41,385</b>	<b>18.2</b>	PM-D 3-Ply
				90%	<b>36,165</b>	<b>21.4</b>	
				80%	<b>31,035</b>	<b>24.5</b>	
				70%	<b>25,440</b>	<b>29.1</b>	
				60%	<b>18,124</b>	<b>29.3</b>	
VMF58DP3C223C-HR	58"	3	1/Var^	100%	<b>36,700</b>	<b>22.2</b>	PM-D 3-Ply
				90%	<b>32,200</b>	<b>25.3</b>	
				80%	<b>25,800</b>	<b>25.1</b>	
				70%	<b>20,700</b>	<b>28.6</b>	
				60%	<b>15,200</b>	<b>32.1</b>	
VMF58DP3C223C-HE	58"	3	1/Var^	100%	<b>38,400</b>	<b>20.7</b>	PM-D 3-Ply
				90%	<b>33,800</b>	<b>23.8</b>	
				80%	<b>29,000</b>	<b>27.5</b>	
				70%	<b>21,600</b>	<b>27.3</b>	
				60%	<b>16,200</b>	<b>30.6</b>	

Rough Opening - 65 1/4" W x 65 1/4" H  
Side-By-Side Recommended OC Dimension for Fan with Cone - Minimum 75"

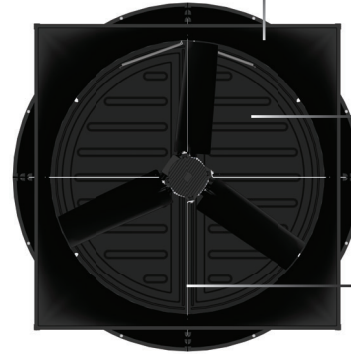
\* Best sellers/recommended models

^ Variable speed fans require separate variable speed control to adjust fan speed.

**Bold red text is data based on testing performed by an accredited lab using ANSI/AMCA 210-07 standard.**

## Housing

- Rugged, corrosion-resistant poly with UV inhibitor
- Precision injection molded



## Damper Doors

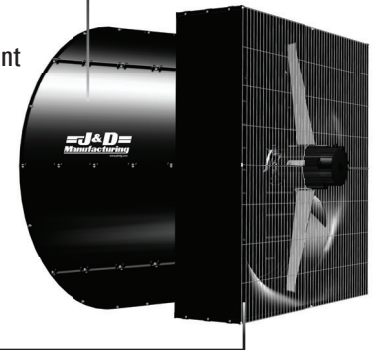
- Edged with magnets and 360° of rubber seal to minimize air infiltration
- Dual tension springs
- Durable poly with UV inhibitor will endure even the harshest conditions

## Motor Frame

- 304 stainless-steel for corrosion-resistance
- Motor-centric with minimal air impedance

## Cone

- Deep for superior performance
- Multi sections makes for ease in handling when installing, as well as reduced shipping
- Rugged, corrosion-resistant poly with UV inhibitor



## Guards

- Corrosion-resistant stainless-steel



## Prop

- 3 glass-filled poly composite blades
- Die-cast aluminum hub

**⚠ WARNING:** This product can expose you to chemicals including chromium, which is known to the State of California to cause cancer and birth defects or other reproductive harm. For more information go to [www.P65Warnings.ca.gov/product](http://www.P65Warnings.ca.gov/product).