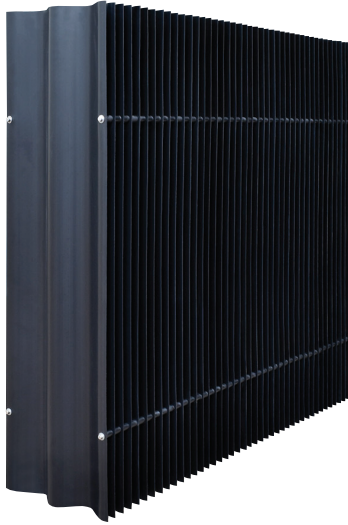


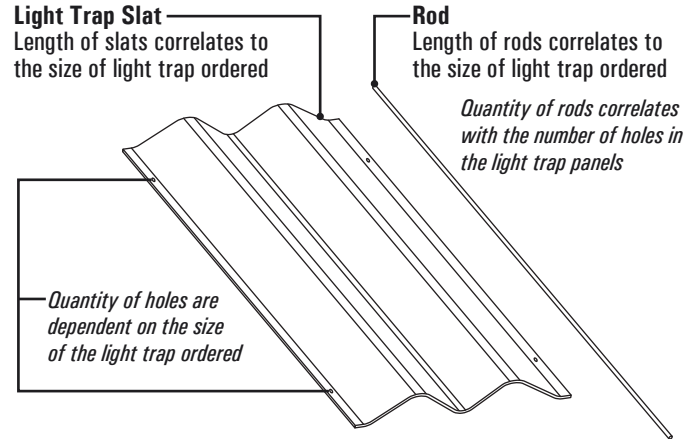
J&D Manufacturing

LIGHT TRAP



PARTS LEGEND

NOTE: Quantities vary based on model ordered.



WARRANTY

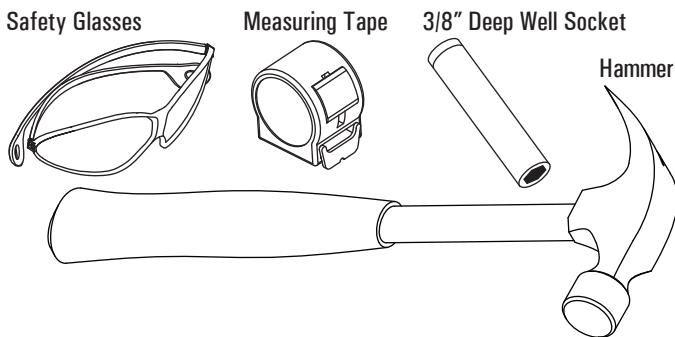
J&D Mfg. warrants all products are free from defects in materials and workmanship under normal use for the period of one year from date of purchase. Our warranty does not cover ordinary wear and tear. J&D Mfg can repair or replace at our option, any product or part of the product that is found to be defective. Our warranty applies to materials only and does not include return freight, delivery, loss or damage to personal property, cost of removal or installation, any incidental or consequential damages or labor. This warranty does not apply to products which are misused, abused, altered, improperly installed or subject to negligence. All warranties must be approved through our warranty department. The original purchaser must present a copy of the invoice for the defective product. One year is our standard warranty unless specified on our literature or in the installation instructions/user manuals.

INSTALLATION

Please read over all instructions carefully before you begin. If you have any questions please call your local dealer, or contact J&D Manufacturing at 1-800-998-2398.

Using hammer secure a Flat Pushnut and Cap Style Pushnut onto one end of each rod as shown below.

RECOMMENDED TOOLS FOR INSTALLATION AND ASSEMBLY (NOT PROVIDED)



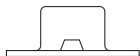
INCLUDED ASSEMBLY HARDWARE

NOTE: Quantities vary based on model ordered.

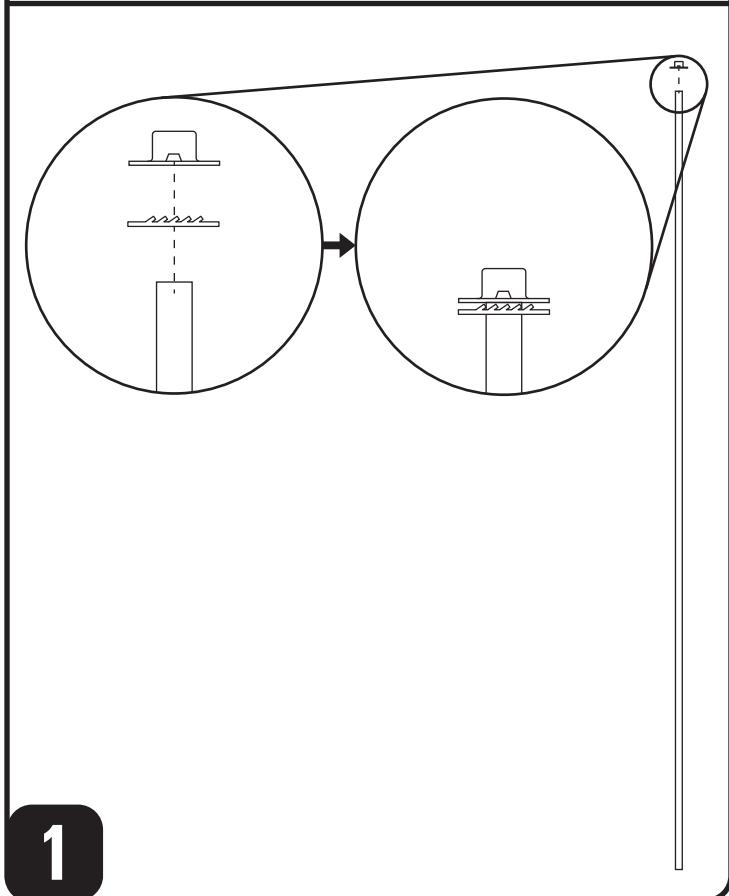
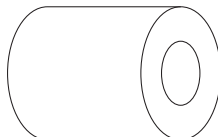
Retainer
Flat Pushnut
for 1/4" Rod



Retainer
Cap Style Pushnut
for 1/4" Rod

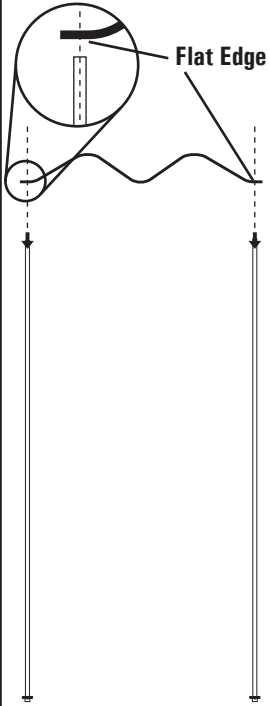


Spacer
Nylon
for 1/4" Rod

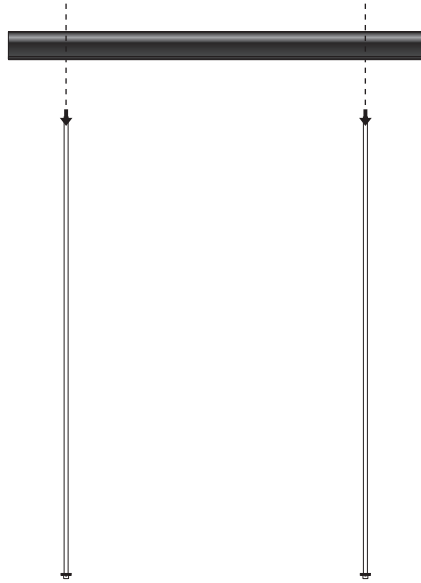


With Light Trap Slat, flat edge down, slide down over the capped rods as shown below.

End View

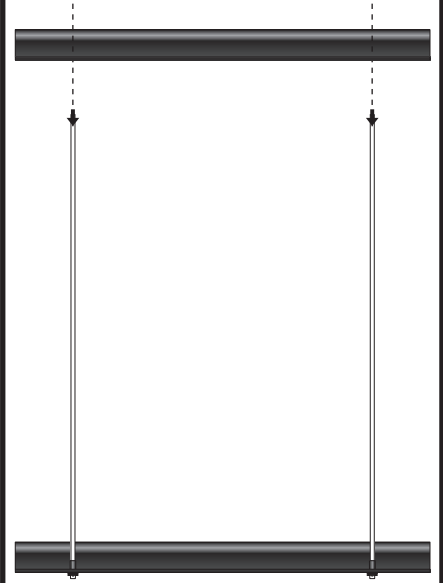
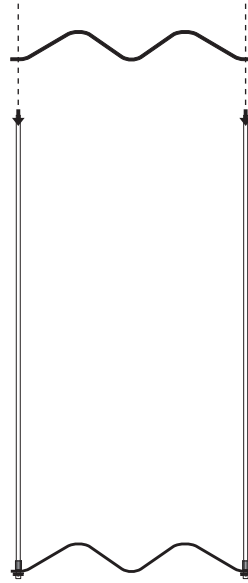


Side View



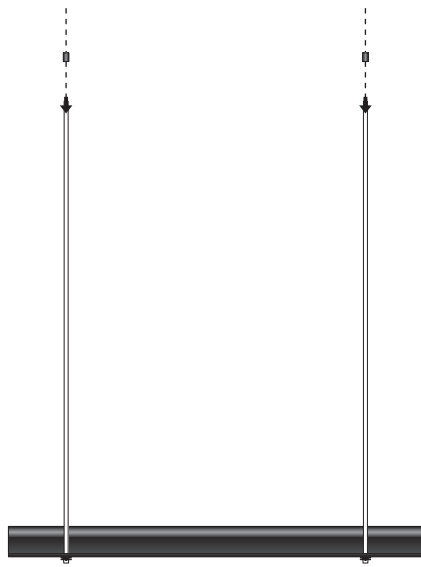
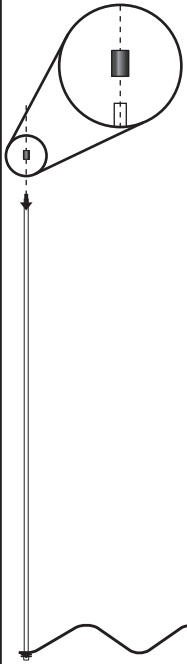
2

With Spacers in place slide another Light Trap Slat down the rods onto the spacers, as shown below.



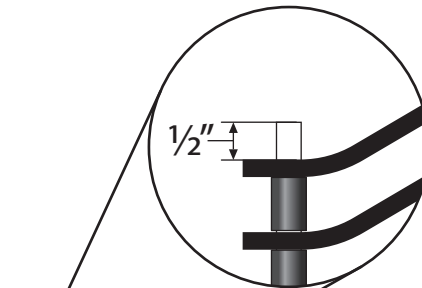
4

Slide one Spacer down each rod letting them rest against the recently assembled Light Trap Slat.

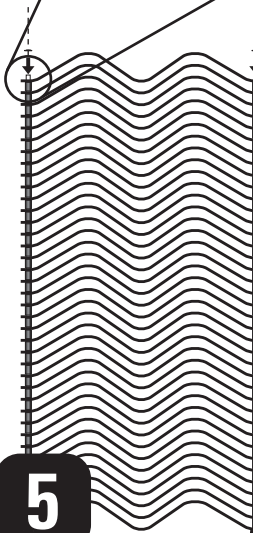


3

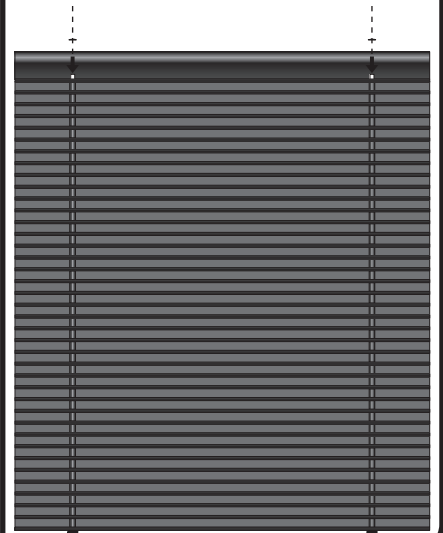
Repeat **Step 3** and **Step 4** until there is only $\frac{1}{2}$ " of the rods remaining.



End View

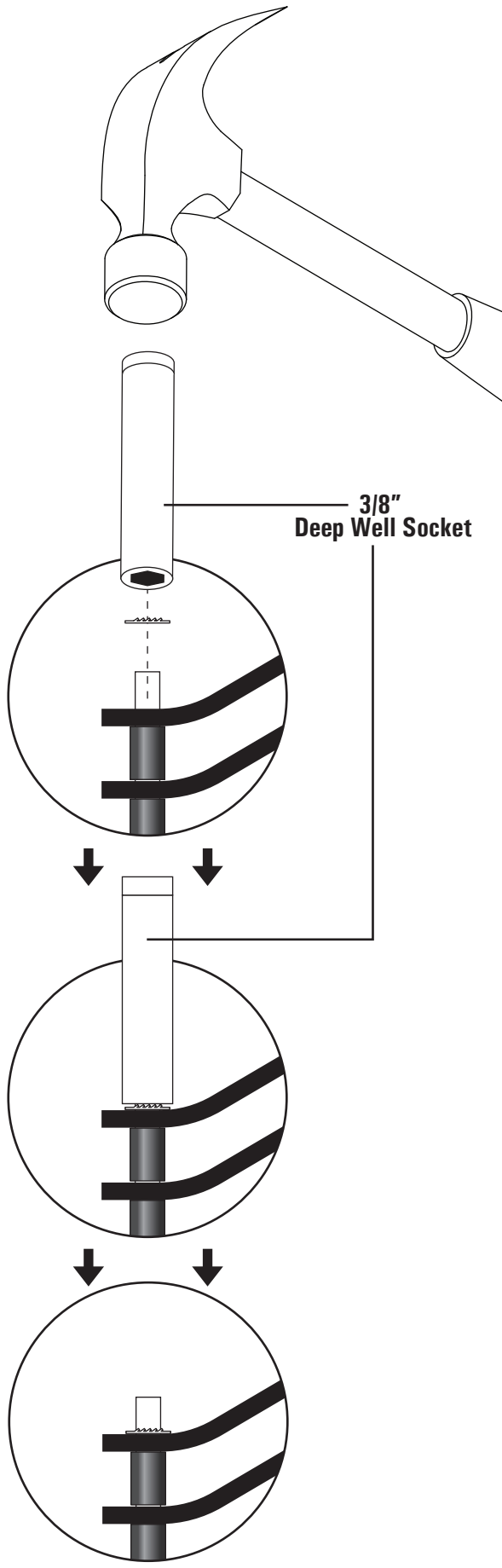


Side View



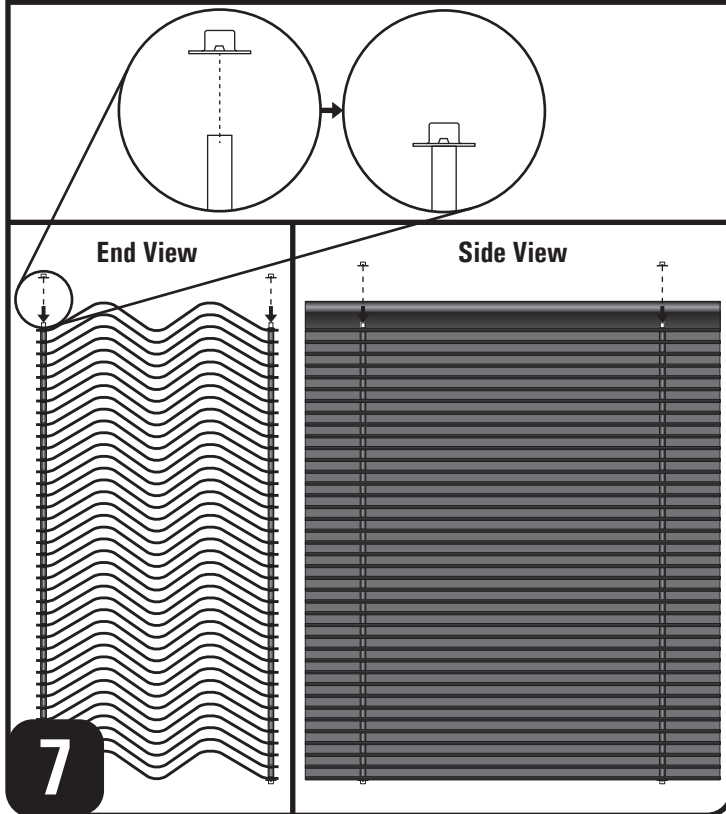
5

Using a 3/8" Deep Well Socket and Hammer secure the last Light Trap Slat with a Flat Pushnut onto each rod.



6

Once Flat Pushnuts are secured, use hammer to secure a Cap Style Pushnut onto one end of each rod, as shown below.



Do not install or store assembled light trap where it will be exposed to direct sunlight.

