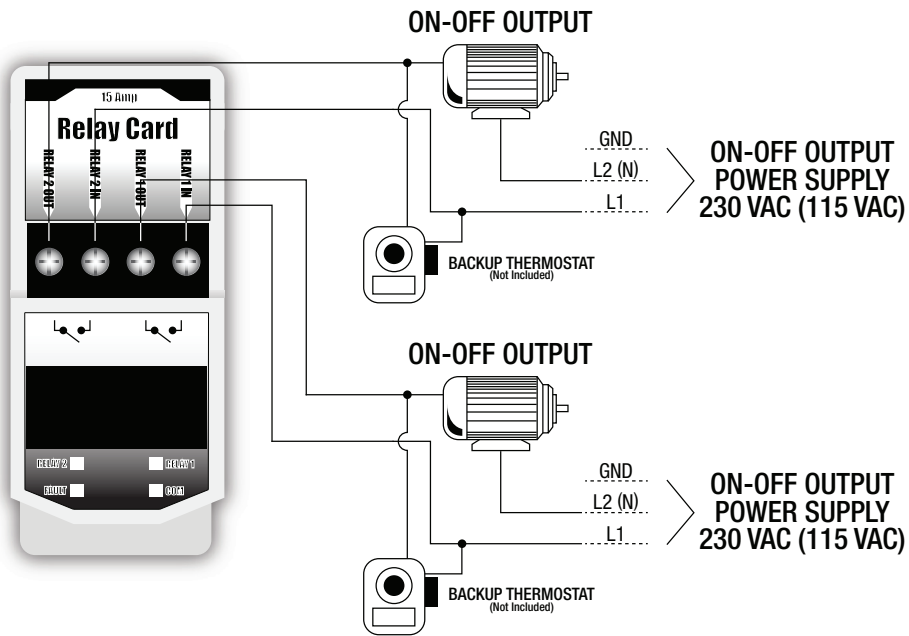


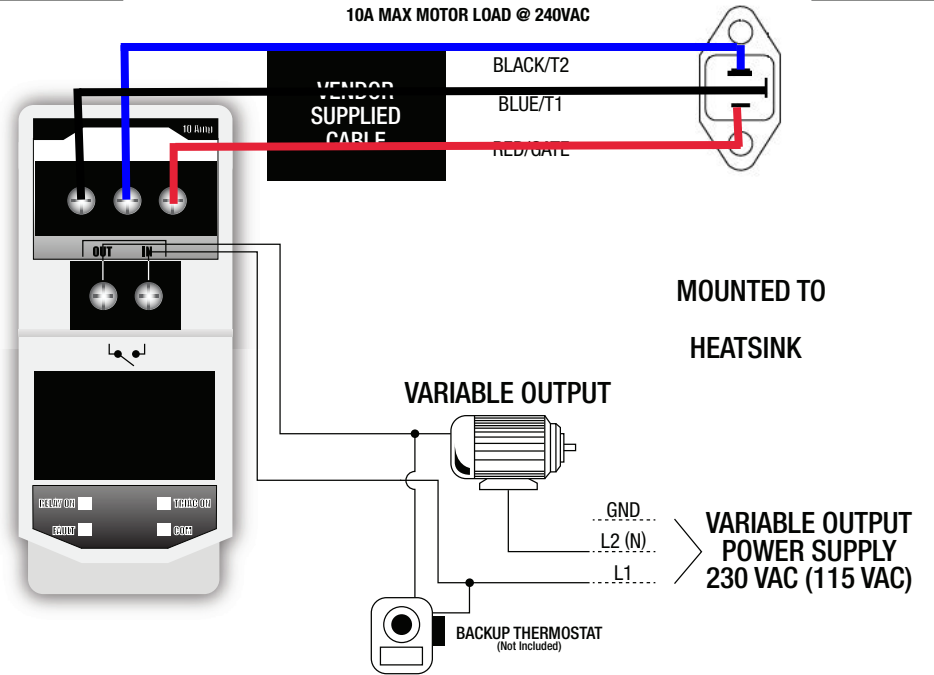
## 2X RELAY CARD

15A RESISTIVE MAX MOTOR LOAD 1HP @ 120VAC, 2HP @ 240VAC



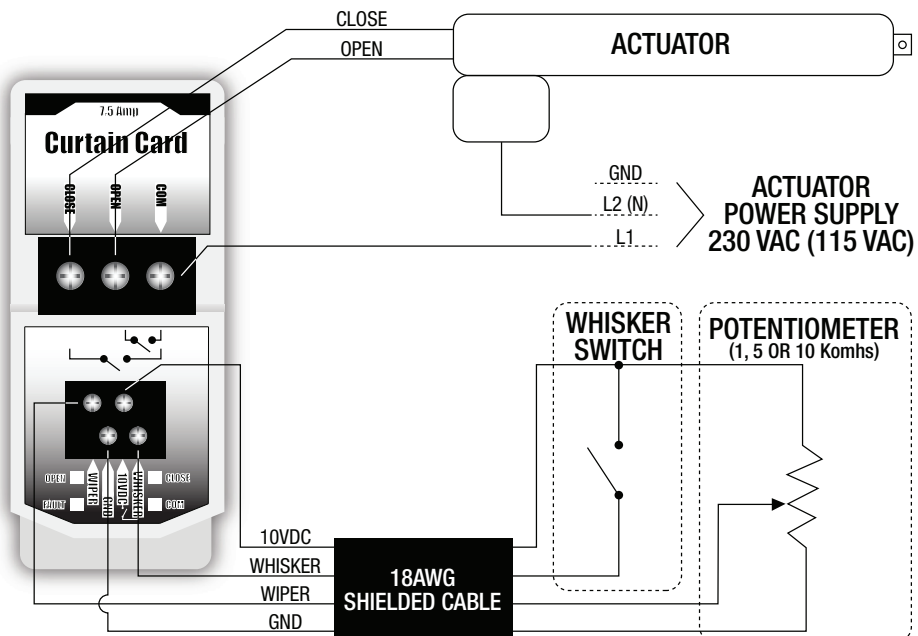
## 1X VARIABLE CARD

10A MAX MOTOR LOAD @ 240VAC



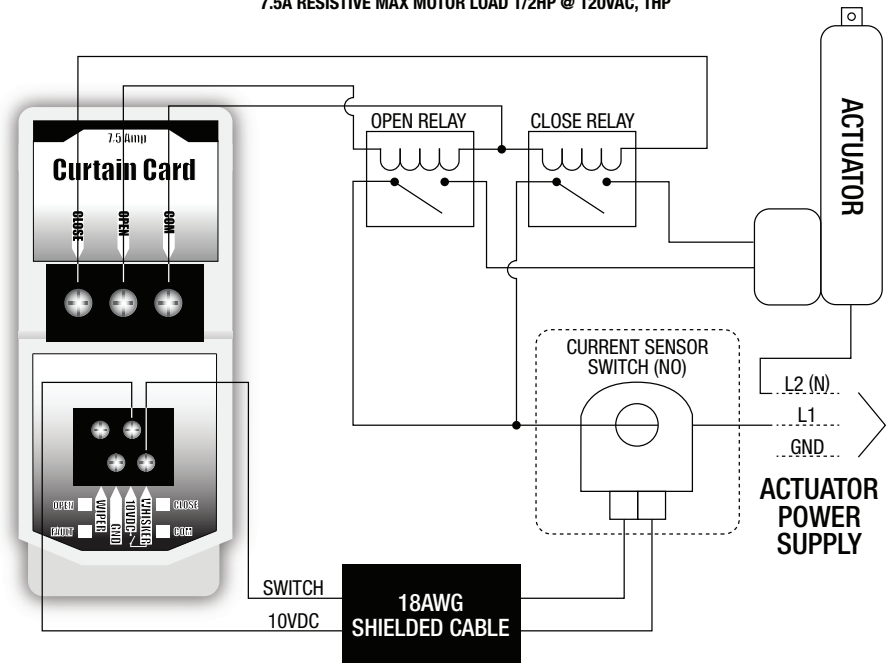
## 1X CURTAIN CARD

7.5A RESISTIVE MAX MOTOR LOAD 1/2HP @ 120VAC, 1HP @ 240VAC



## 1X CURTAIN CARD

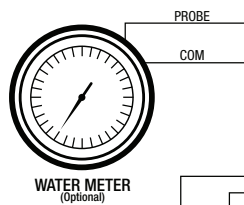
7.5A RESISTIVE MAX MOTOR LOAD 1/2HP @ 120VAC, 1HP



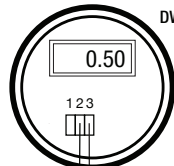
# INPUT CARD

0-3.3VDC UP TO 1.65mA

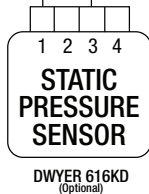
CONNECT IN PLACE OF ANY TEMPERATURE PROBE



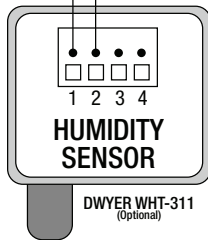
WATER METER (Optional)



DWYER MS2-W101-LCD (Optional)

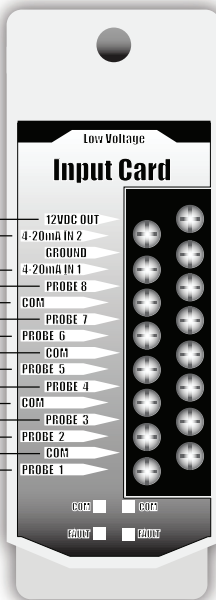


DWYER 616KD (Optional)



DWYER WHT-311 (Optional)

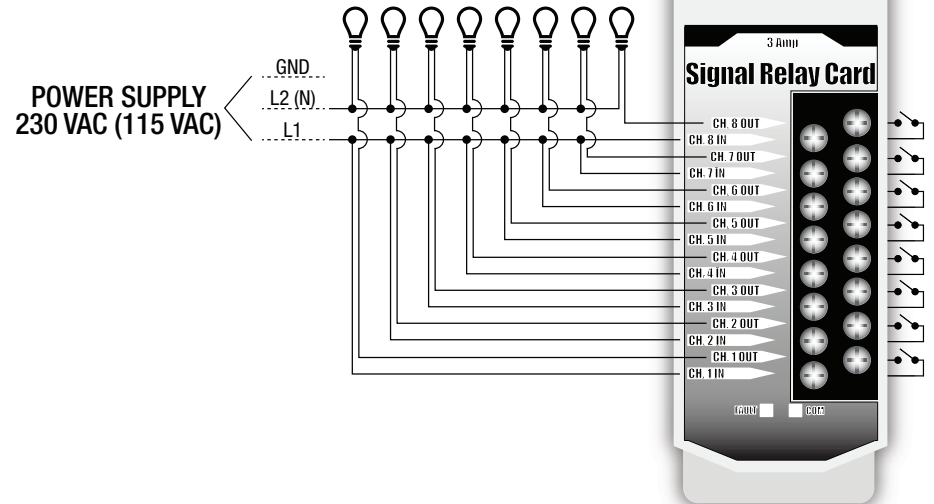
- TEMP PROBE 8
  - TEMP PROBE 7
  - TEMP PROBE 6
  - TEMP PROBE 5
  - TEMP PROBE 4
  - TEMP PROBE 3
  - TEMP PROBE 2
  - TEMP PROBE 1
- OPTIONAL TEMPERATURE PROBES



\*Only 1 sensor per input channel

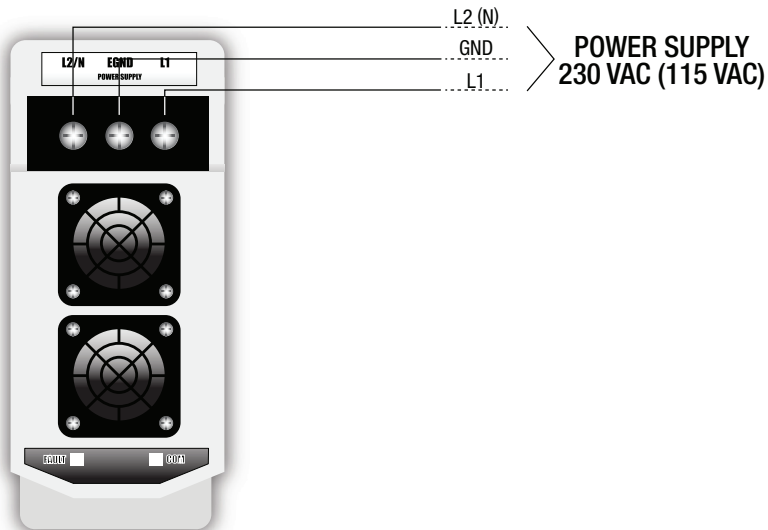
# 8X SIGNAL RELAY CARD (NO/NC)

DRY CONTACT, MAX 3A RESISTIVE



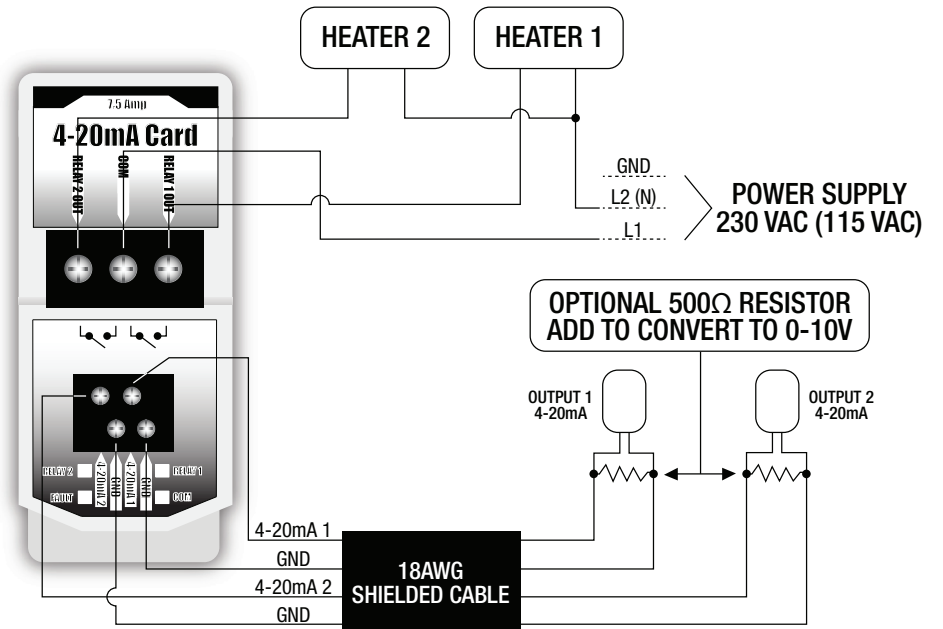
# POWER SUPPLY CARD

90-264VAC; 72 WATTS PEAK



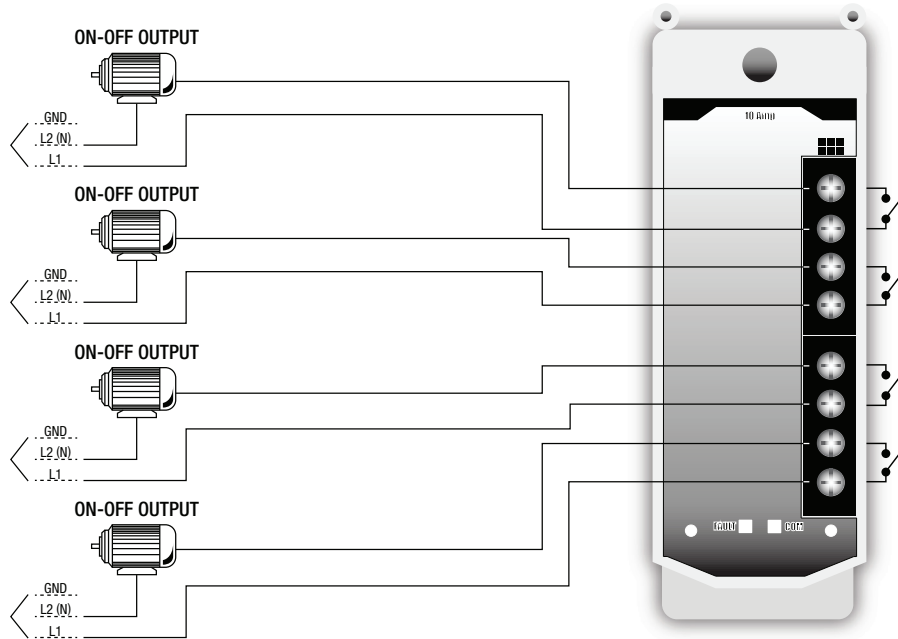
# 2X 4-20mA + RELAYS CARD

7.5A RESISTIVE MAX MOTOR LOAD 1/2HP @ 120VAC, 1HP @ 240VAC

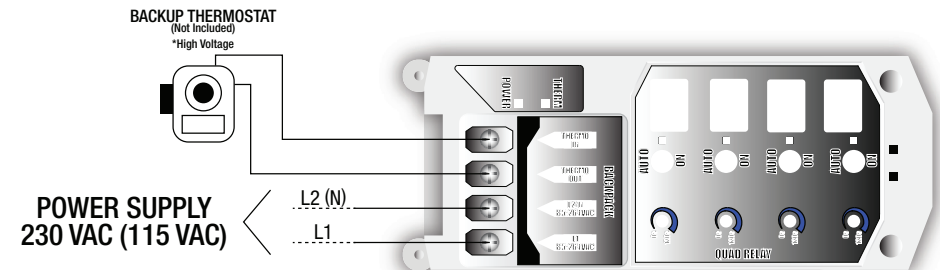


# 4X RELAY CARD

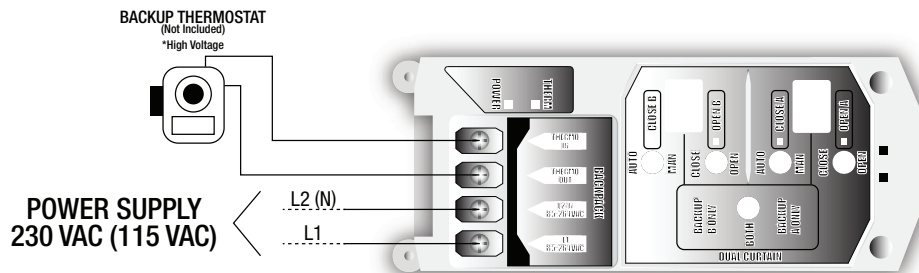
DRY CONTACT, MAX 10A RESISTIVE



# 4X RELAY BACKPACK

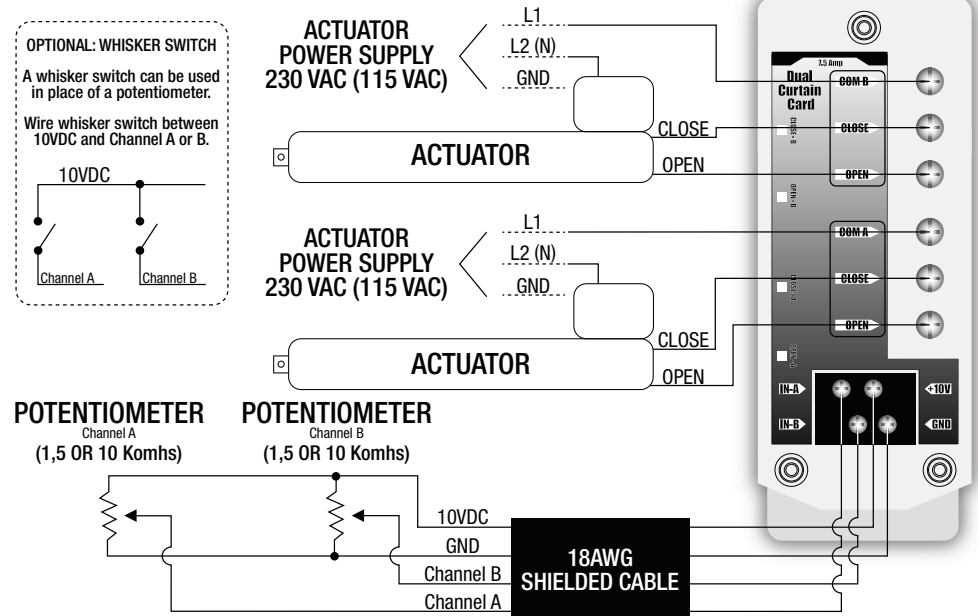


# 2X CURTAIN BACKPACK



# 2X CURTAIN CARD

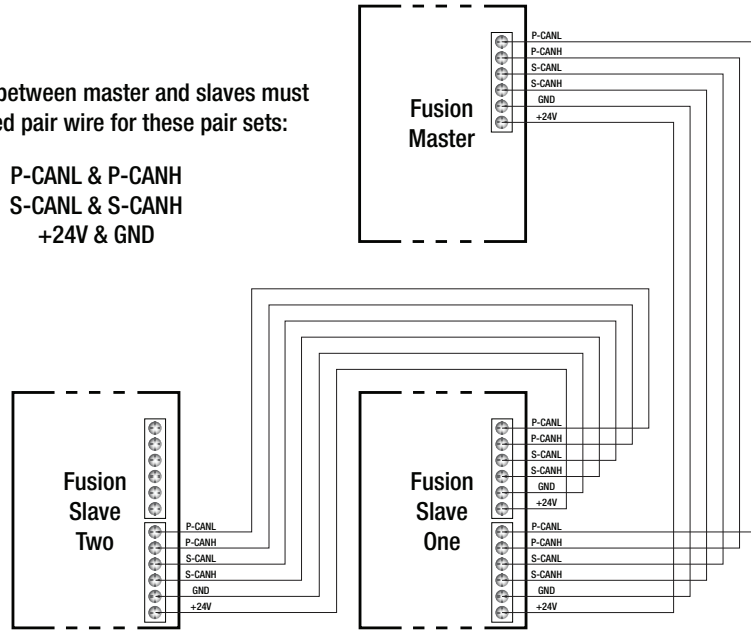
7.5A RESISTIVE MAX MOTOR LOAD 1/2HP @ 120VAC, 1HP @ 240VAC



# MASTER & SLAVES

Connection between master and slaves must use twisted pair wire for these pair sets:

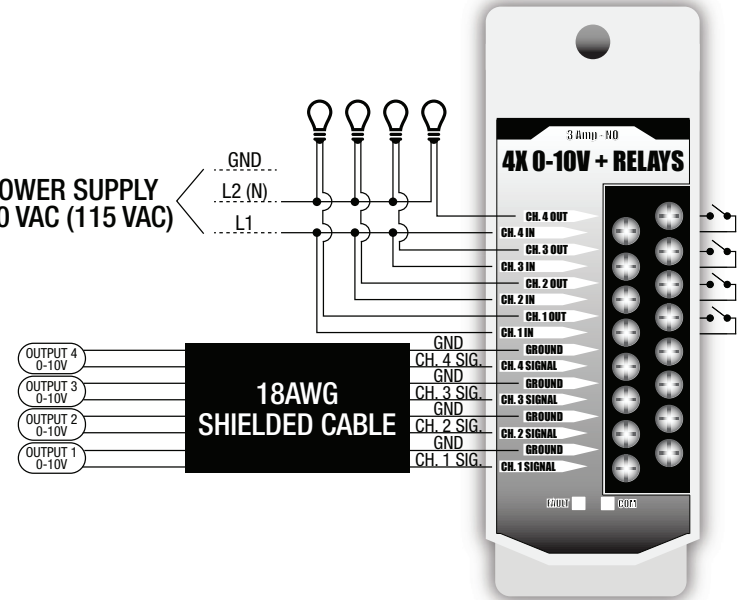
P-CANL & P-CANH  
S-CANL & S-CANH  
+24V & GND



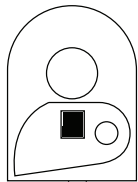
# 4X 0-10V + RELAYS CARD

3A RESISTIVE MAX LOAD

POWER SUPPLY  
230 VAC (115 VAC)

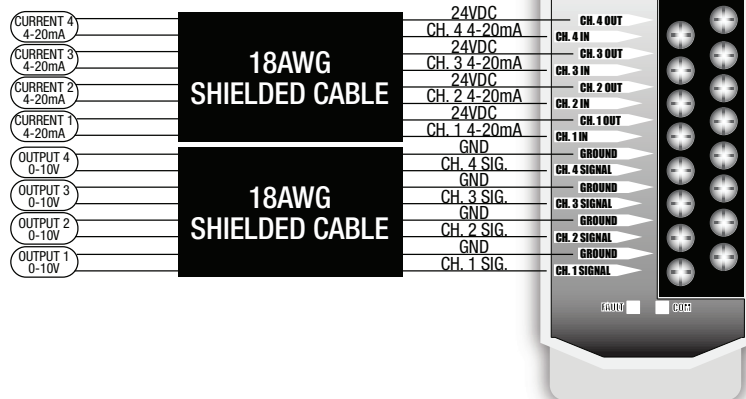


# 4X 0-10V + AMPS CARD



EXTERNAL AMP SENSORS  
4-20mA

24VDC (RED)  
4-20mA (BLACK)

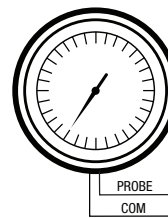


# 12X INPUT CARD

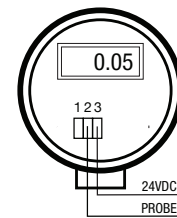
TEMPERATURE PROBE  
(Optional)



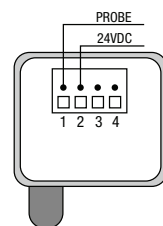
WATER METER  
(Optional)



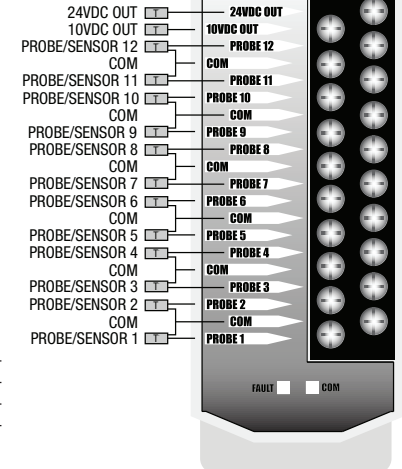
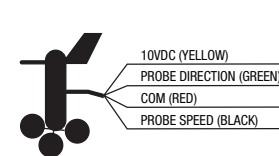
STATIC PRESSURE (4-20mA)  
(Optional)



HUMIDITY (4-20mA)  
(Optional)



WEATHER STATION  
(Optional)



\*Only 1 sensor per input channel

# CHAIN DISK CARD

