

# Tube Ventilation System

Tube ventilation is a unique method that gently introduces fresh air into enclosed environments without introducing harmful cold drafts.

J&D Manufacturing customizes each Tube Ventilation System for your specific application.

Call today to discuss your ventilation requirements.



**Verified Performance**

## System Features

- Fan, weather hood, and tube (for 12"-24" models)
- Positive pressure system
- Provides gentle fresh air induction without creating a draft
- May also provide heat distribution and air recirculation if mounted away from the end wall

## Fan Features

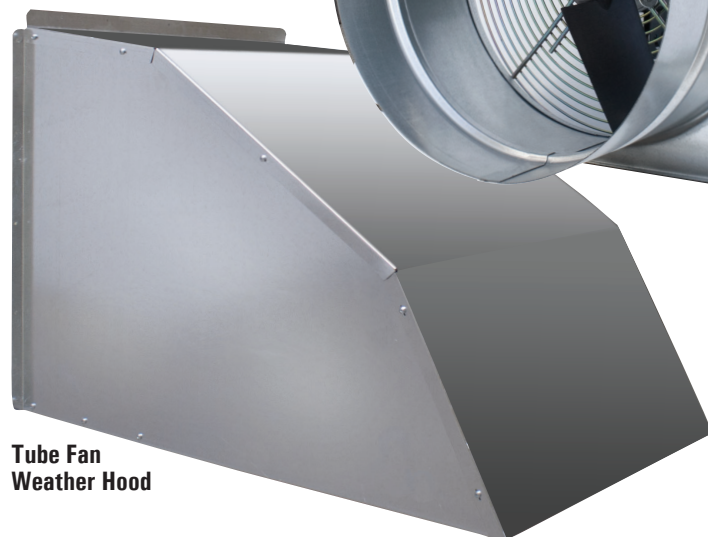
- 18-gauge galvanized housing with formed channel for securing the vent tube to the fan
- Corrosion-resistant guards
- Poly, aluminum, and galvanized propellers (not all types are available in all sizes)
- Includes cable ties for securing the tube to the fan
- Totally enclosed, maintenance-free, direct drive, high-efficiency motors have completely sealed ball bearings, are UL and CUL recognized and are covered by a **2 Year Warranty**



Tube



Tube Fan

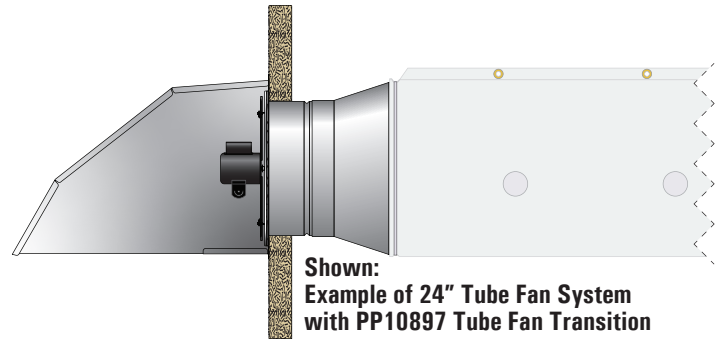
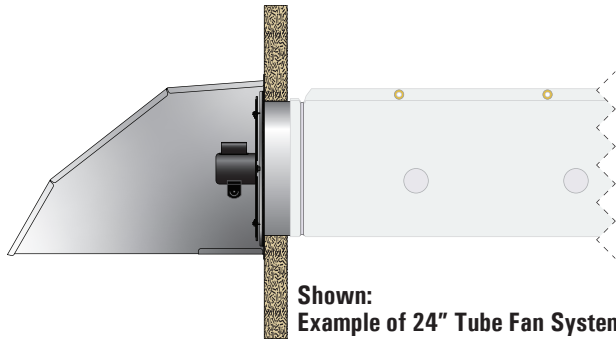


Tube Fan Weather Hood

**⚠ WARNING:** This product can expose you to chemicals including lead, which is known to the State of California to cause cancer and birth defects or other reproductive harm. For more information go to [www.P65Warnings.ca.gov/product](http://www.P65Warnings.ca.gov/product).

# Tube Ventilation System

Tube is ordered separately, see Ventilation Tube page for selectable options



Part#	Size	Minimum Tube Diameter	Ph	Spd	CFM @ 0.18 SP	Drive	Prop
<b>12" - 24" Tube Fans With Weather Hood</b>							
<b>Single Phase</b>							
<b>12"</b>							
VTGW12P12A	12"	13"	1	1	<b>1,200</b>	Direct	8-Ply
<b>16"</b>							
VTGW16P19A	16"	17"	1	1	<b>1,900</b>	Direct	4-Ply
VTGW16P22A	16"	17"	1	1	<b>2,200</b>	Direct	3-Ply
VTGW16P27A	16"	17"	1	1	<b>2,700</b>	Direct	6-Ply
<b>20"</b>							
VTGW20P33A	20"	22"	1	1	<b>3,300</b>	Direct	2-Ply
VTGW20P35A	20"	22"	1	1	<b>3,500</b>	Direct	3-Ply
VTGW20P39A	20"	22"	1	1	<b>3,900</b>	Direct	4-Ply
<b>24"</b>							
VTGW24P41A	24"	25"	1	1	<b>4,100</b>	Direct	3-Ply
VTGW24A45A	24"	25"	1	1	<b>4,500</b>	Direct	3-Alm
VTGW24P50A	24"	25"	1	1	<b>5,000</b>	Direct	4-Ply
VTGW24P56A	24"	25"	1	1	<b>5,600</b>	Direct	4-Ply
VTGW24P61A	24"	25"*	1	1	<b>6,100</b>	Direct	4-Ply
VTGW24P65A	24"	25"*	1	1	<b>6,500</b>	Direct	4-Ply
VTGW24P72A	24"	25"*	1	1	<b>7,200</b>	Direct	4-Ply
<b>Three Phase</b>							
<b>24"</b>							
VTGW24P41A-3	24"	25"	3	1	<b>4,100</b>	Direct	3-Ply
VTGW24P44A-3	24"	25"	3	1	<b>4,400</b>	Direct	4-Ply
VTGW24P47A-3	24"	25"	3	1	<b>4,700</b>	Direct	4-Ply
VTGW24P53A-3	24"	25"	3	1	<b>5,300</b>	Direct	4-Ply
VTGW24P60A-3	24"	25"*	3	1	<b>6,000</b>	Direct	4-Ply
VTGW24P64A-3	24"	25"*	3	1	<b>6,400</b>	Direct	4-Ply
VTGW24P72A-3	24"	25"*	3	1	<b>7,200</b>	Direct	4-Ply
<b>Accessories</b>							
PP10897 Transition, Tube Fan, 32"-36" Tube to 24" Tube Fan							
* If using a 32" or larger tube with one of the 24" high performance models a Tube Fan Transition (PP10897) is recommended							
To order models without hood remove the "W" from part#							

Part#	Size	Minimum Tube Diameter	Ph	Spd	CFM @ 0.18 SP	Drive	Prop
<b>30"-36" Tube Fans Without Weather Hood**</b>							
<b>Single Phase</b>							
<b>30"</b>							
VTG30A63A	30"	32"	1	1	<b>6,271</b>	Direct	3-Alm
VTG30A69A	30"	32"	1	1	<b>6,866</b>	Direct	3-Alm
VTG30A74A	30"	32"	1	1	<b>7,351</b>	Direct	3-Alm
<b>Three Phase</b>							
<b>30"</b>							
VTG30A62A-3	30"	32"	3	1	<b>6,235</b>	Direct	3-Alm
VTG30A67A-3	30"	32"	3	1	<b>6,692</b>	Direct	3-Alm
VTG30A73A-3	30"	32"	3	1	<b>7,254</b>	Direct	3-Alm
<b>36"</b>							
VTG36GA86A-3	36"	38"	3	1	<b>8,600</b>	Belt	4-Glv
VTG36GA92A-3	36"	38"	3	1	<b>9,200</b>	Belt	4-Glv
VTG36GA96A-3	36"	38"	3	1	<b>9,500</b>	Belt	4-Glv
VTG36GA103A-3	36"	38"	3	1	<b>10,300</b>	Belt	4-Glv
VTG36GA112A-3	36"	38"	3	1	<b>11,200</b>	Belt	4-Glv
VTG36GA121A-3	36"	38"	3	1	<b>12,100</b>	Belt	4-Glv

\*\* For weather hood guidelines for the 30"-36" tube fan contact J&D

**Bold red text is data based on testing performed by an accredited lab using ANSI/AMCA Standard 210-07**

**OSHA requires this fan to be mounted a minimum of 7' above the floor**



Fan Size	Fan Rough Opening	Weather Hood must be mounted centered over fan
12"	14"W x 14"H	27"W x 26"H
16"	18"W x 18"H	27"W x 26"H
20"	22½"W x 22½"H	45"W x 31"H
24"	26"W x 26"H	45"W x 31"H
30"	33"W x 33"H	++
36"	40½"W x 40½"W	++

++ For weather hood guidelines for the 30"-36" tube fan contact J&D

**For additional accessories to compliment your Tube Ventilation System refer to the following catalog sections, "Environmental Controls" for a complete line of J&D Controls and "Inlets" for a selection of J&D Aluminum Intake Power Shutters.**

**⚠ WARNING:** This product can expose you to chemicals including lead, which is known to the State of California to cause cancer and birth defects or other reproductive harm. For more information go to [www.P65Warnings.ca.gov/product](http://www.P65Warnings.ca.gov/product).